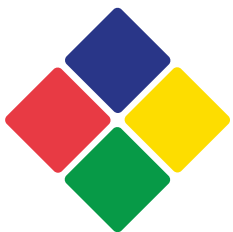


# LED CONTROL SYSTEMS



# LUCOLED

*Experience Lighting*

January 2026

# Lucoled Controls

INTRODUCTION 03

LC-DMX-4CH-WP 04

LC-RF-4CH-WP 06

LC-RFWIFI-4CH 08

LC-RF-REMOTE/DIMMER/TW 10

LC-DMX-4CH 12

LC-DIM-4IN1 14



# LUCOLED

*Experience Lighting*

## **LUCOLED: NOT JUST ANOTHER LED COMPANY**

### **PAY FOR PERFORMANCE**

At LucoLED we operate at the simple principle that the customer should only pay for product performance and not for the overhead and excessive margins most major brands add to their cost.

It is LucoLED's mission to provide fit for purpose, reliable and efficient lighting solutions for visual communication and brand identity.

### **EXPERIENCE**

LucoLED is based on over 25 years of experience in the signage industry and has developed an in depth knowledge of the basic needs of the market. Backed by industry leading design and production facilities LucoLED provides high quality products with exceptional performance and warranties.

LucoLED's ODM production uses state of the art equipment and has extensive R&D and testing facilities.

Besides a range of standard products LucoLED can also offer tailor made solutions with minimum lead time.

### **COMPLETE SOLUTION**

LucoLED offers a complete system solution for letters, light boxes, flexible and linear accents. Including their own full range power A. LucoLED offers an extended system warranty up to the lifetime of the sign as we believe in our products.

### **GLOBAL REACH**

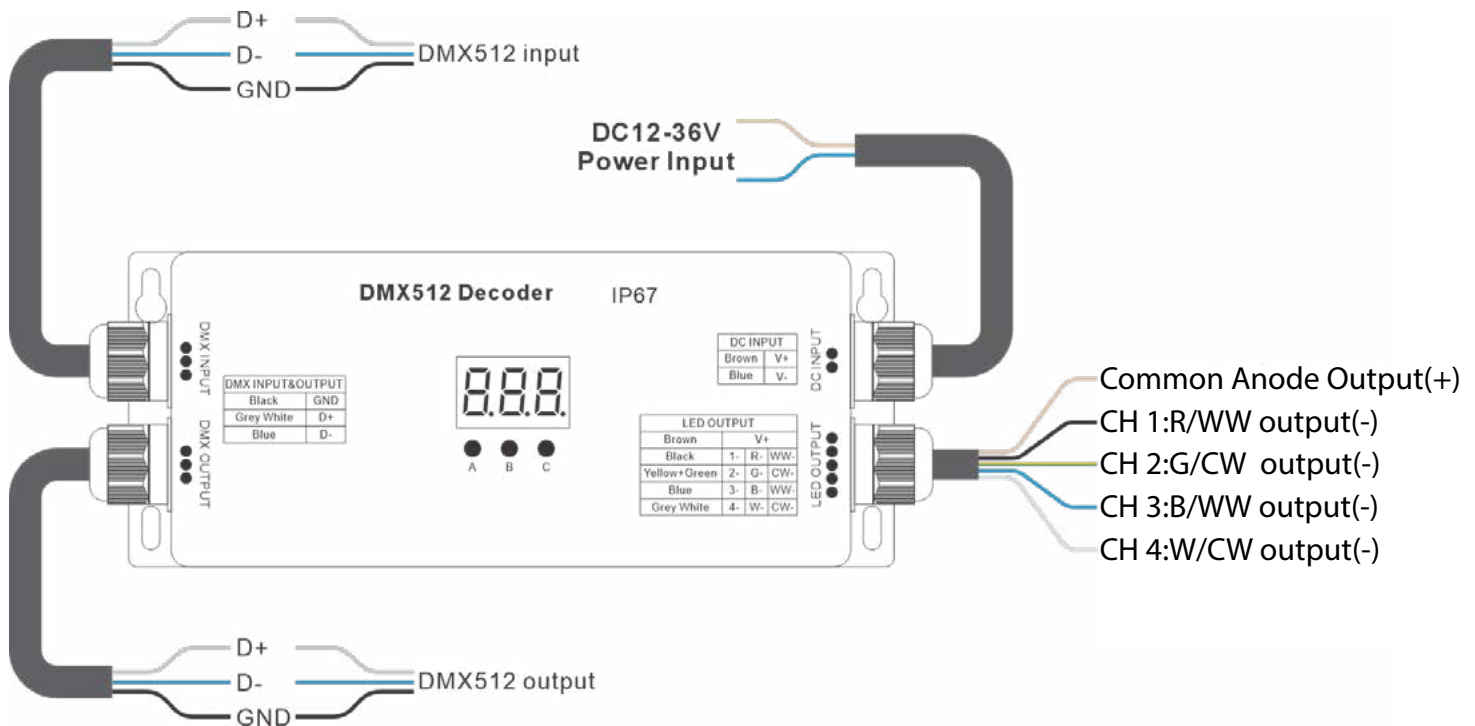
LucoLED products are available globally through a distribution and logistics network covering over 80 countries. With offices in Belgium, The Netherlands and India and seven warehouse locations in various countries we optimise logistics and guarantee a short delivery time for local customers.

### **REFERENCES**

LucoLED products are used by many international brands as Shell, Lidl, Starbucks, ESSO, UNO, PUMA, Pizza Hut, Mc Donald's, BP and many more.

### **INNOVATION**

LucoLED continues to bring innovations to the LED sign industry. Examples are Lucoline, high efficiency optics, intelligent controls for dimming, layout software tools for Lucoline, lightboxes and channel letters.



## LC-DMX-4CH-WP RDM Enabled IP67 DMX Controller

- Standard DMX512 compliant control interface
- RDM function enabled to realize intercommunication between DMX master and decoder.
- For example, DMX decoder's address can be assigned by DMX master console
- With digital display to show data directly, easily to set and show DMX address.
- Total 4 PWM output channels, common anode, 5A per channel
- DMX address manually settable
- DMX channel quantity from 1CH~4CH settable
- Output PWM frequency from 200HZ ~ 35K HZ settable.
- Output dimming curve gamma value from 0.1 ~ 9.9 settable
- To work with power repeater to expand output power unlimitedly.
- Waterproof grade:IP67

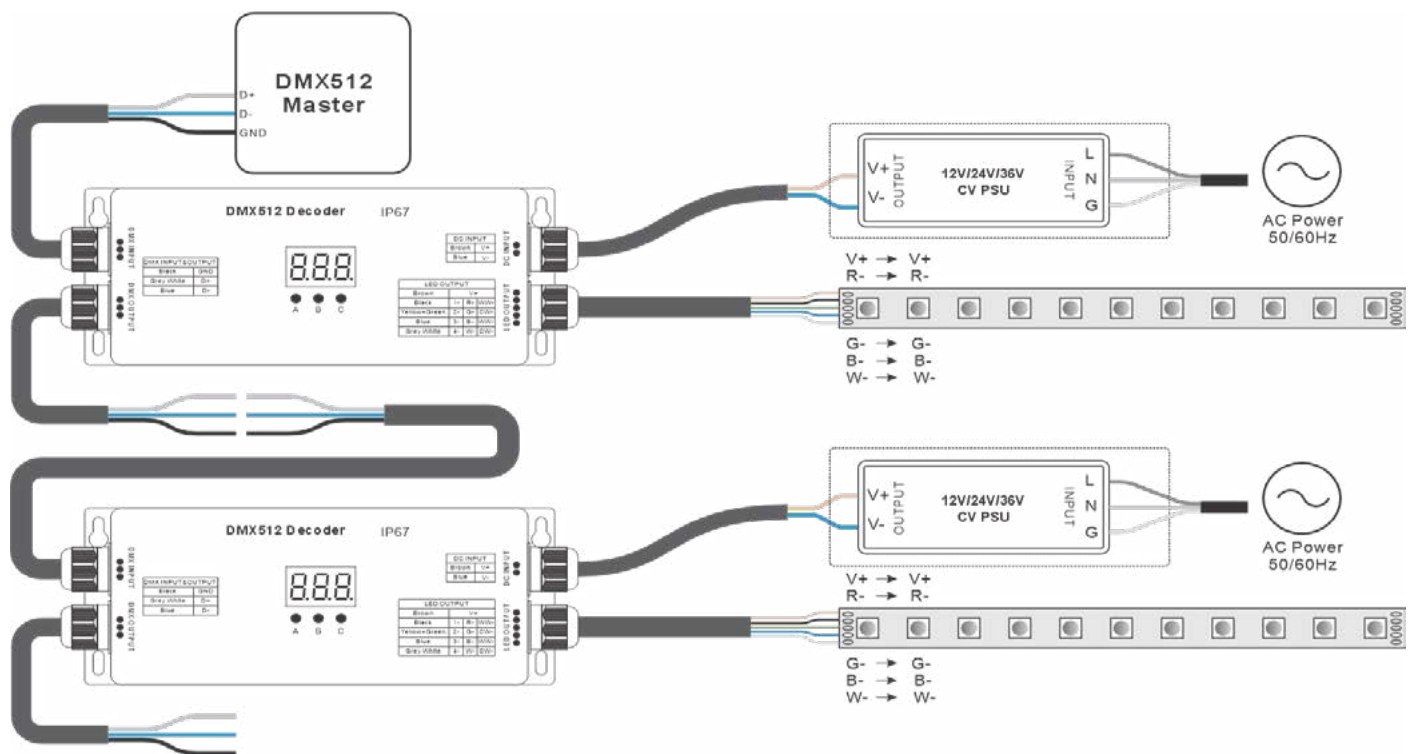
## SPECIFICATIONS

- Dimensions 180.5x73.6x38 mm
- 5 Year Warranty
- UL, CE and RoHS compliant
- 12-36 V DC
- 4 x 5A per channel
- 4x(60-180) W (12-36V)
- Operating temperature -25°~+45°C
- IP67

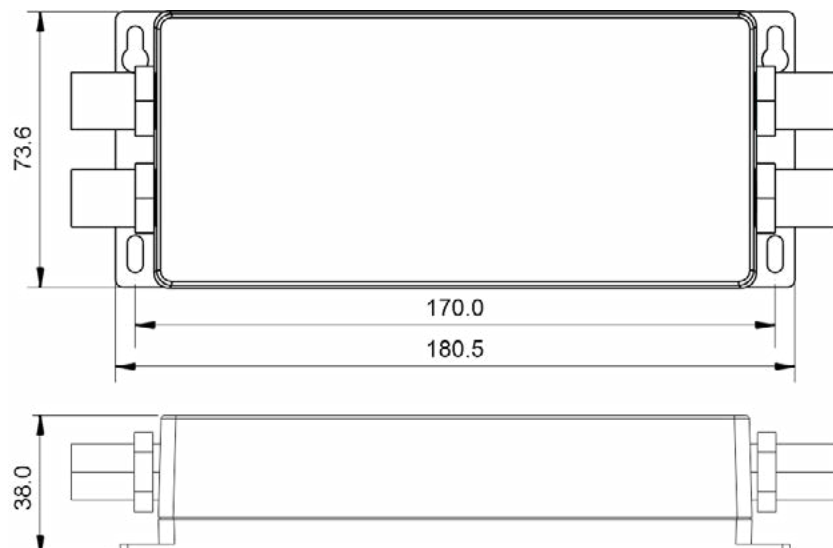
## PRODUCT DATA

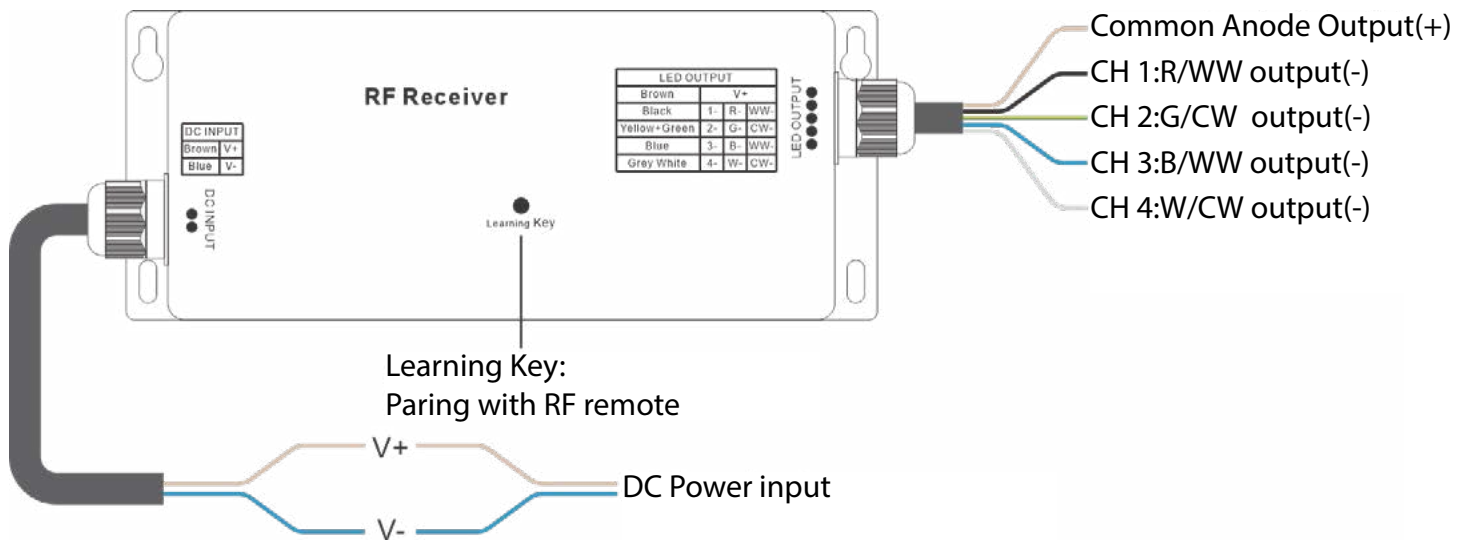
Input Voltage	Output Current	Output Power	Remarks	Size(LxWxH)	Ambient Temperature
12-36VDC	4x5A	4x(60-180)W	Constant Voltage	180.5x73.6x38mm	-25°C ~ +45°C

## CONNECTIONS



## DIMENSIONS





## LC-RF-4CH-WP

### RF RGBW/Single/Tuneable White IP67 Receiver Waterproof Receiver

- 4 Channel RGBW, tuneable white or single colour output
- 5 A per channel
- Waterproof grade:IP67

## SPECIFICATIONS

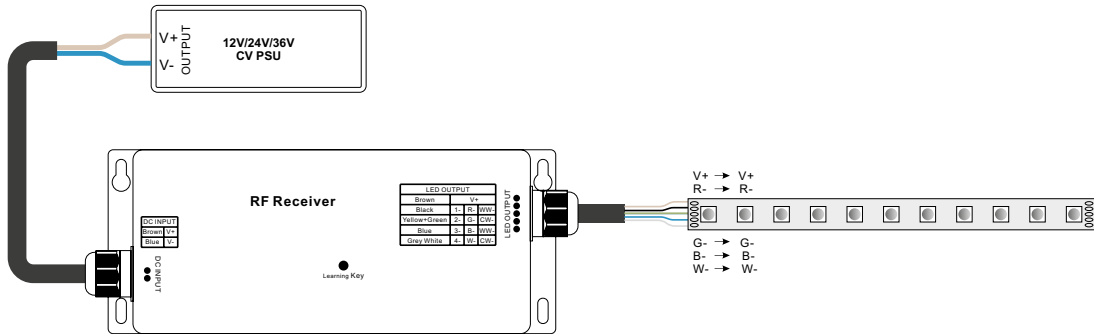
- Dimensions 180.5x73.6x38 mm
- 5 Year Warranty
- UL, CE and RoHS compliant
- 12-36V DC
- 4 x 5A per channel
- 4x(60-180) W (12-36V)
- Operating temperature -25<sup>0</sup>~+45<sup>0</sup>C
- IP67

## PRODUCT DATA LC-RF-4CH-WP

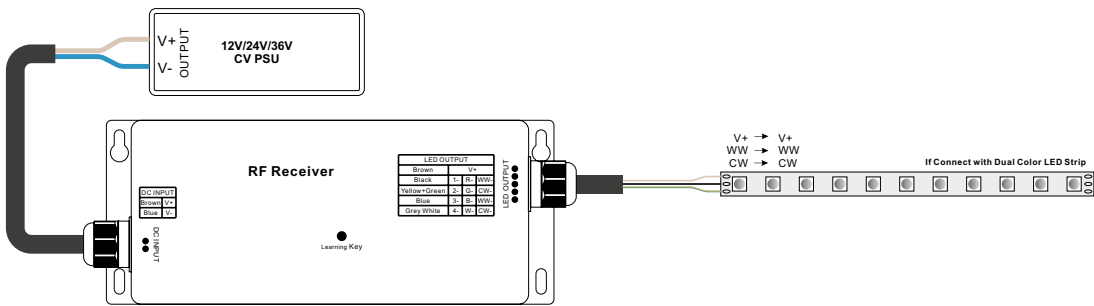
Input Voltage	Output Current	Output Power	Remarks	Size(LxWxH)
12-36VDC	4x5A	4x(60-180)W	Constant Voltage	180.5x73.6x38mm

## CONNECTIONS

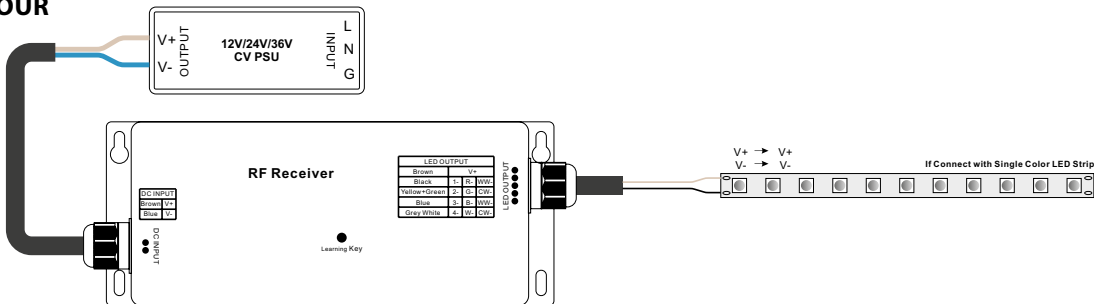
### RGBW



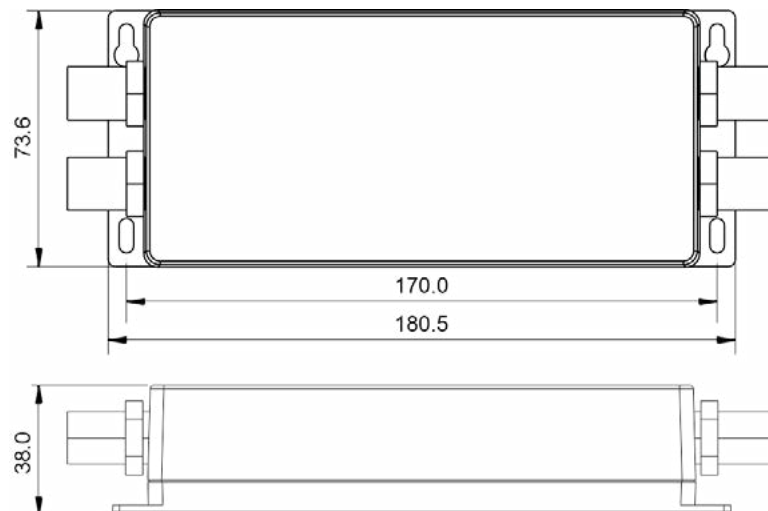
### TUNEABLE WHITE

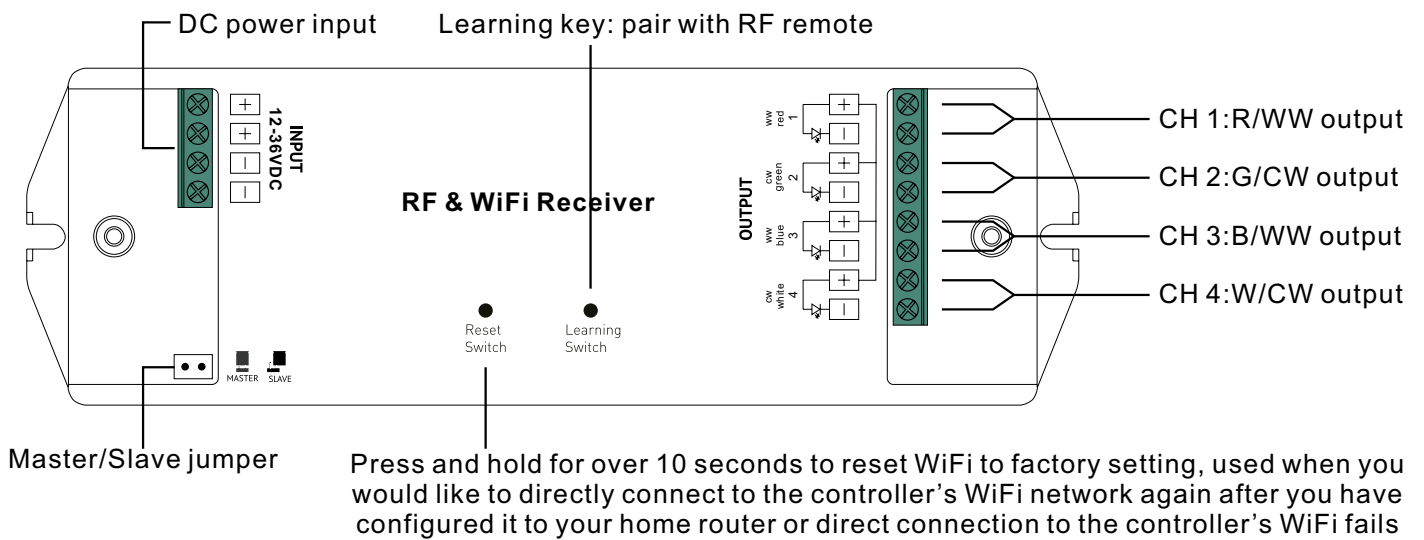


### SINGLE COLOUR



## DIMENSIONS





# LC-RFWIFI-4CH

## RF&WIFI RGBW/Single/Tuneable White Receiver

- 4 Channel RGBW, tuneable white or single colour output
- 12-36 V DC, 5 A per channel
- Control via RF remote or App via WIFI
- Connects to existing WIFI network or creates own WIFI network

Download APP by scanning QR code



EasyHome IOS Version



EasyHome Android Version

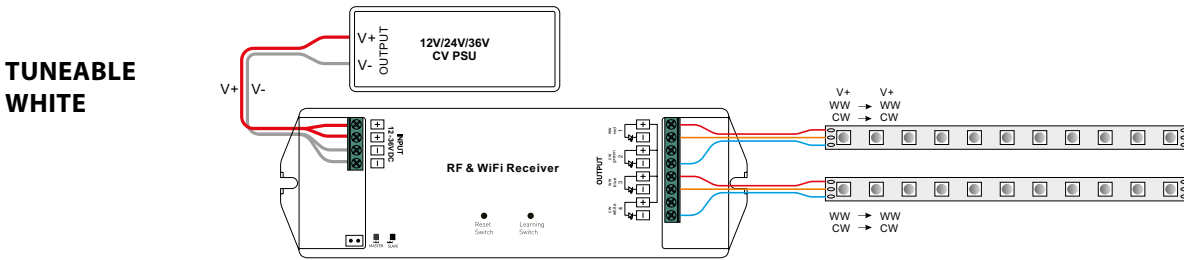
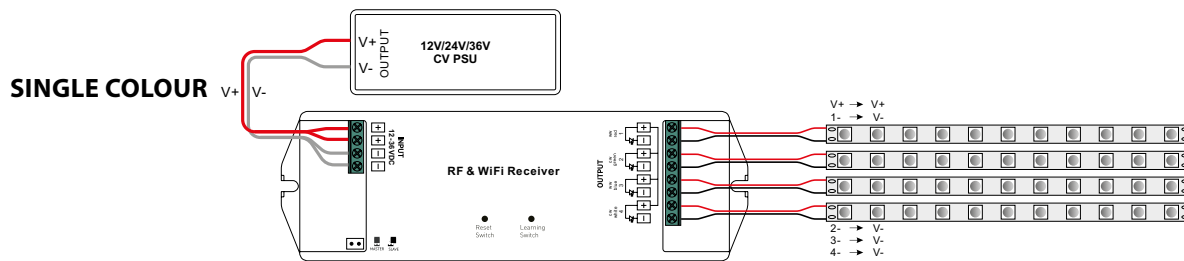
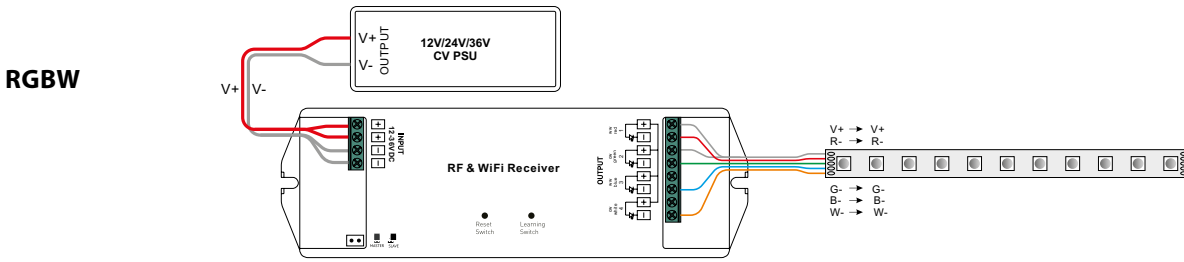
## SPECIFICATIONS

- Dimensions 178.0x57x21.0 mm
- 5 Year Warranty
- UL, CE and RoHS compliant
- 12-36 V DC
- 4 x 5A per channel
- 4x(60-180) W (12-36V)
- Operating temperature -25<sup>0</sup>~+45<sup>0</sup>C
- IP20

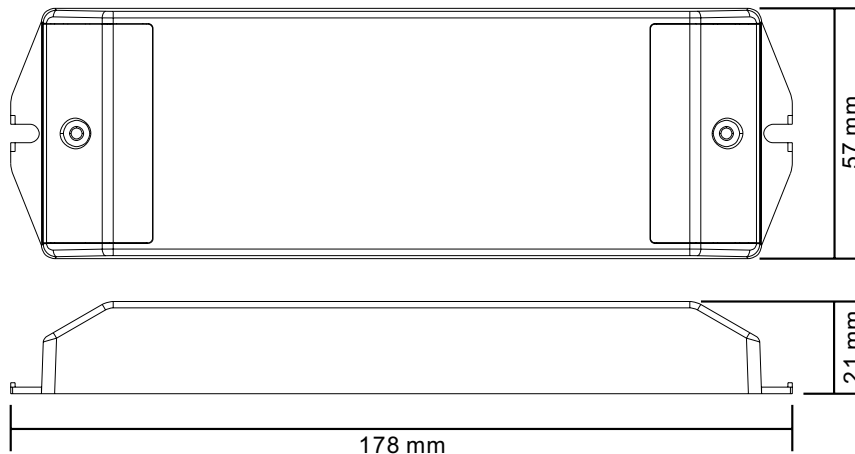
## PRODUCT DATA LC-RFWIFI-4CH

Input Voltage	Output Current	Output Power	Remarks	Size(LxWxH)
12-36VDC	4x5A	4x(60-180)W	Constant Voltage	178.0x46.1x21.0 mm

## CONNECTIONS



## DIMENSIONS



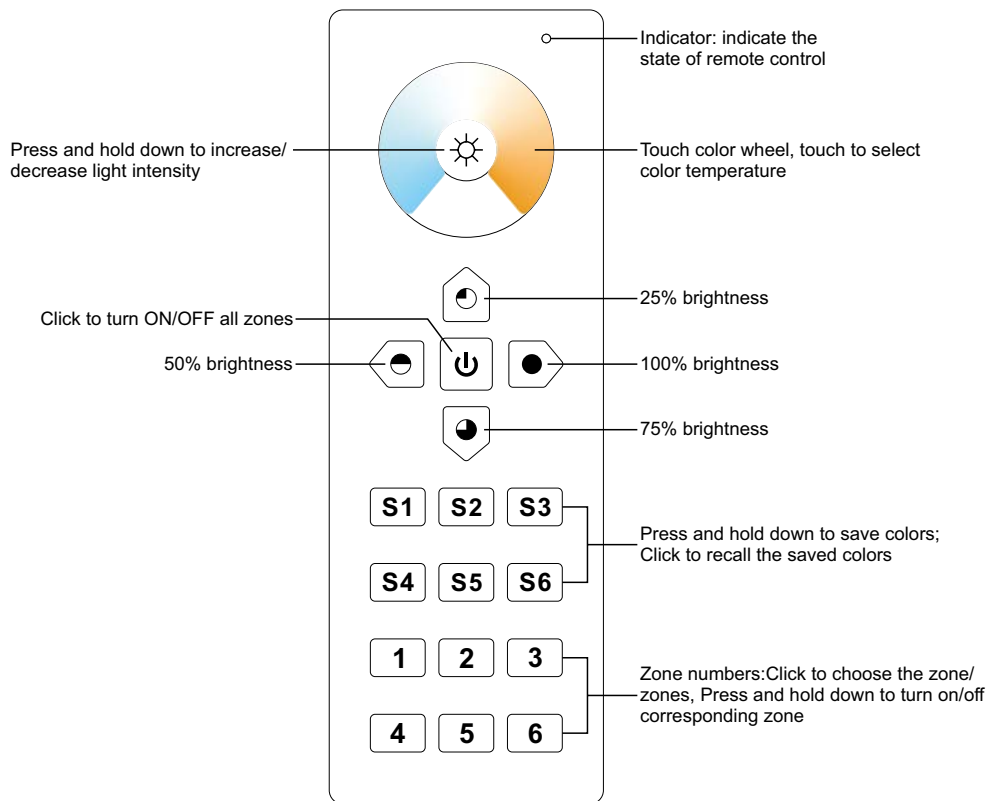


# LC-RF-REMOTE / LC-RF-DIMMER / LC-RF-CT RF Remotes

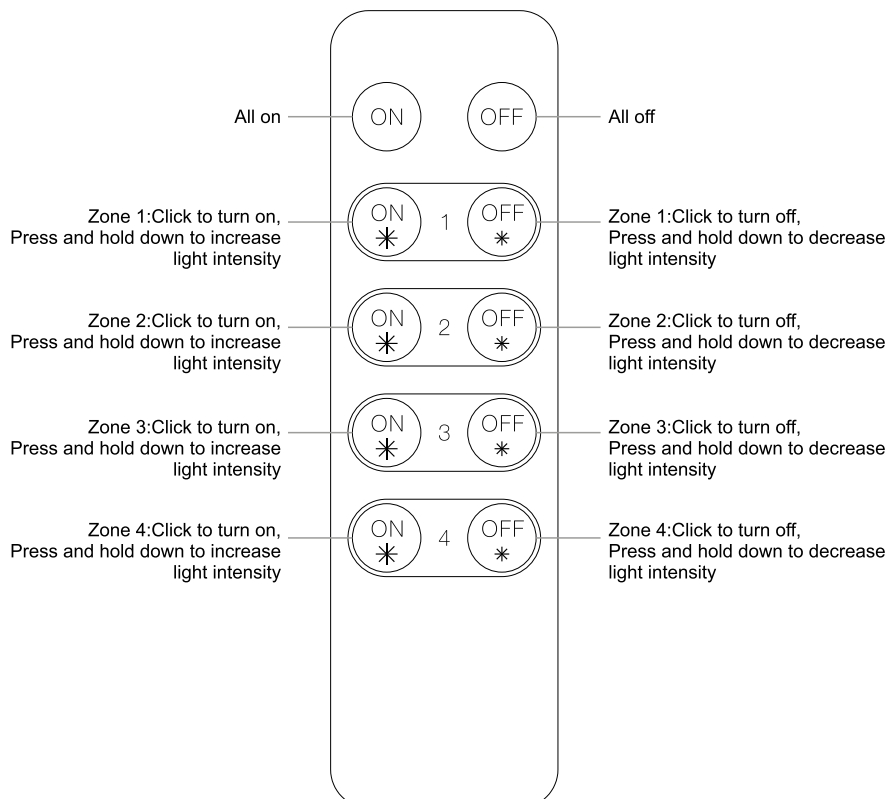
- *LC-RF-REMOTE can control multiple receivers and 4 zones for RGBW*

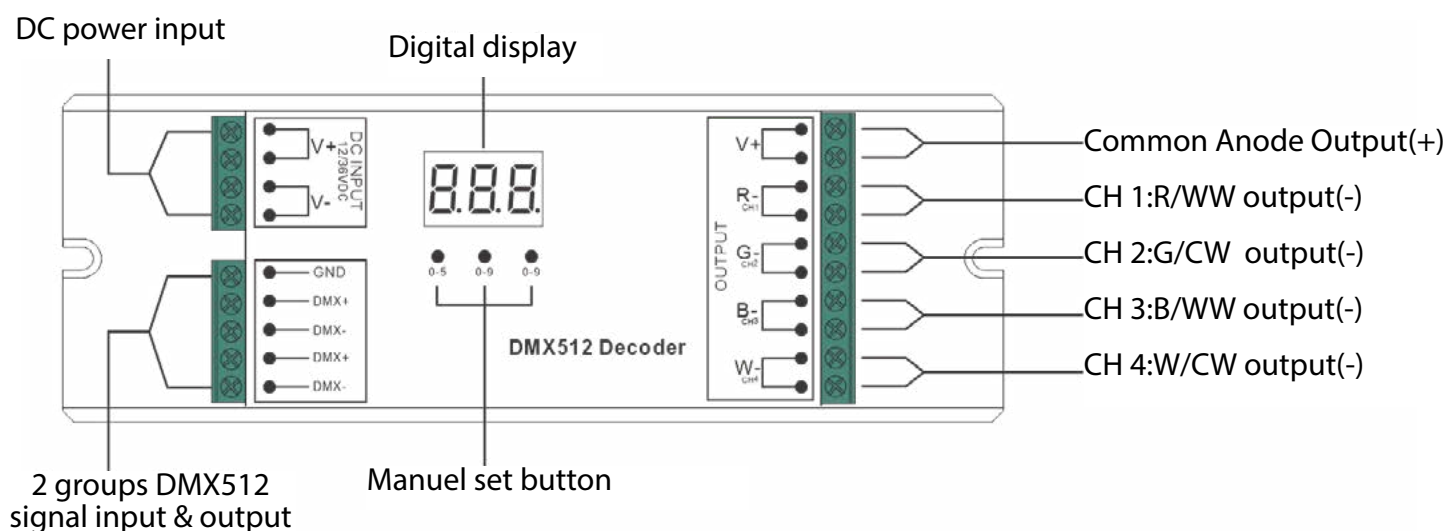


- *LC-RF-CT can control multiple receivers and 6 zones for tuneable white*



- *LC-RF-DIMMER can control multiple receivers and 4 zones single colour can control multiple receivers and 6 zones for tuneable white*





## LC-DMX-4CH RDM Enabled DMX 512 Controller

- *Standard DMX512 compliant control interface*
- *RDM function enabled to realize intercommunication between DMX master and decoder.*
- *For example, DMX decoder's address can be assigned by DMX master console*
- *With digital display to show data directly, easily to set and show DMX address.*
- *Total 4 PWM output channels, common anode, 8A per channel*
- *DMX address manually settable*
- *DMX channel quantity from 1CH~4CH settable*
- *Output PWM frequency from 200HZ ~ 35K HZ settable.*
- *Output dimming curve gamma value from 0.1 ~ 9.9 settable*
- *To work with power repeater to expand output power unlimitedly.*
- *IP20*

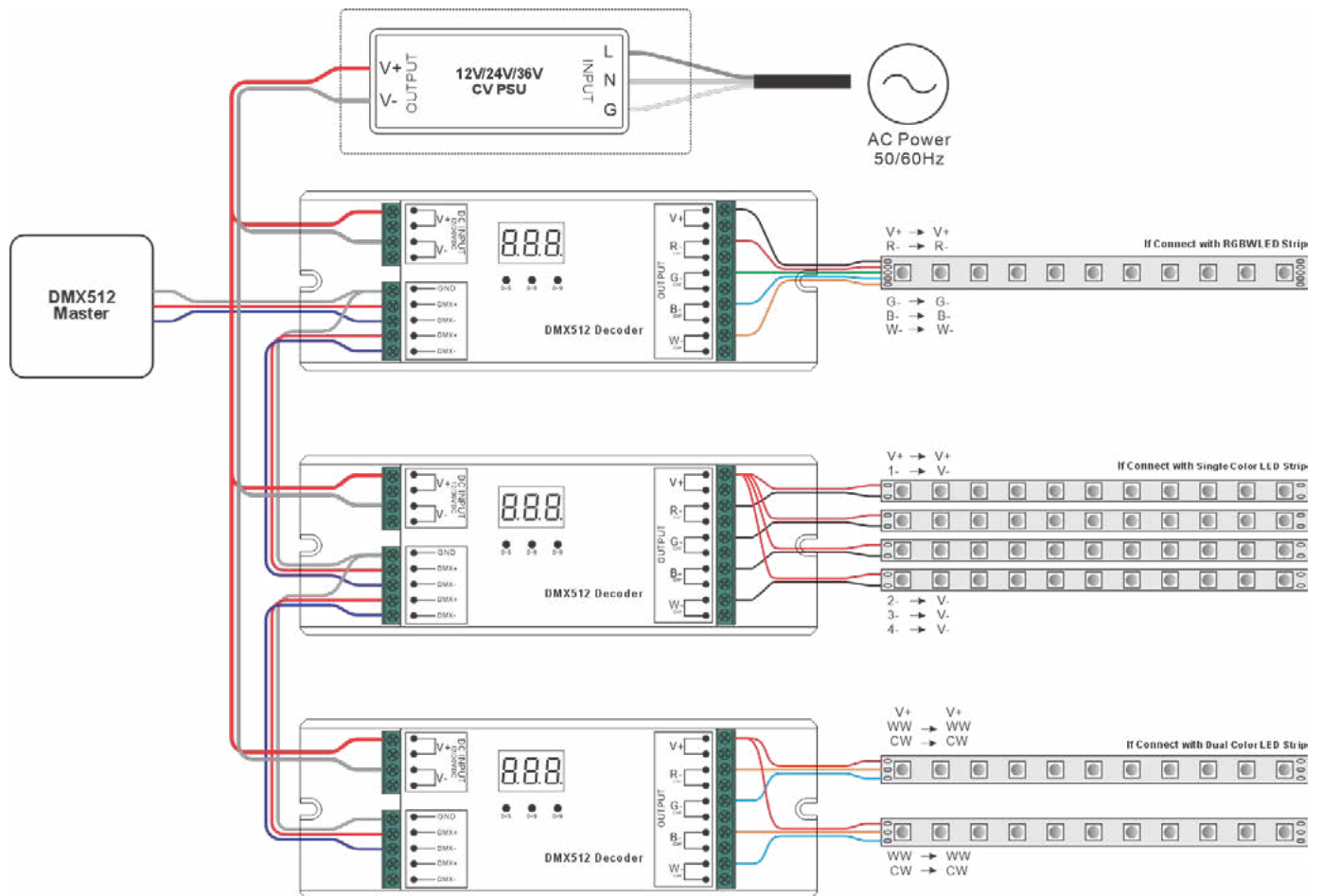
## SPECIFICATIONS

- Dimensions 170x59x29 mm
- 5 Year Warranty
- UL, CE and RoHS compliant
- 12-36 V DC
- 4 x 8A per channel
- 4x(96-288) W (12-36V)
- Operating temperature -25°~+45°C
- IP20

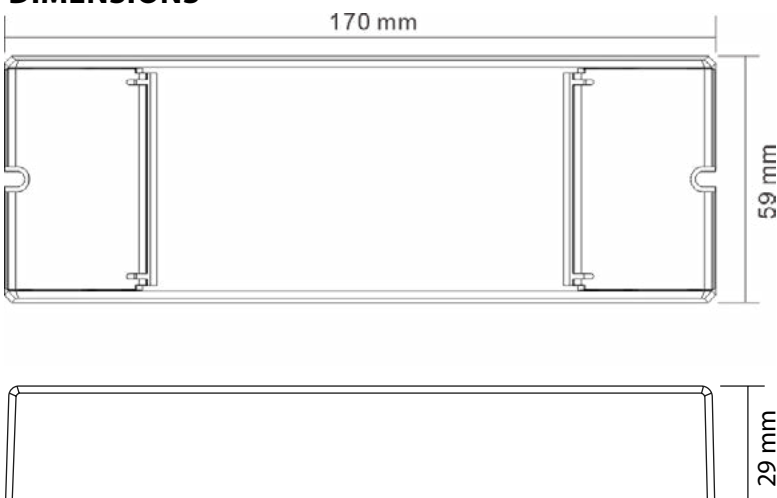
## PRODUCT DATA

Input Voltage	Output Current	Output Power	Remarks	Size(LxWxH)
12-36VDC	4x8A	4x(96-288)W	Constant Voltage	170x59x29mm

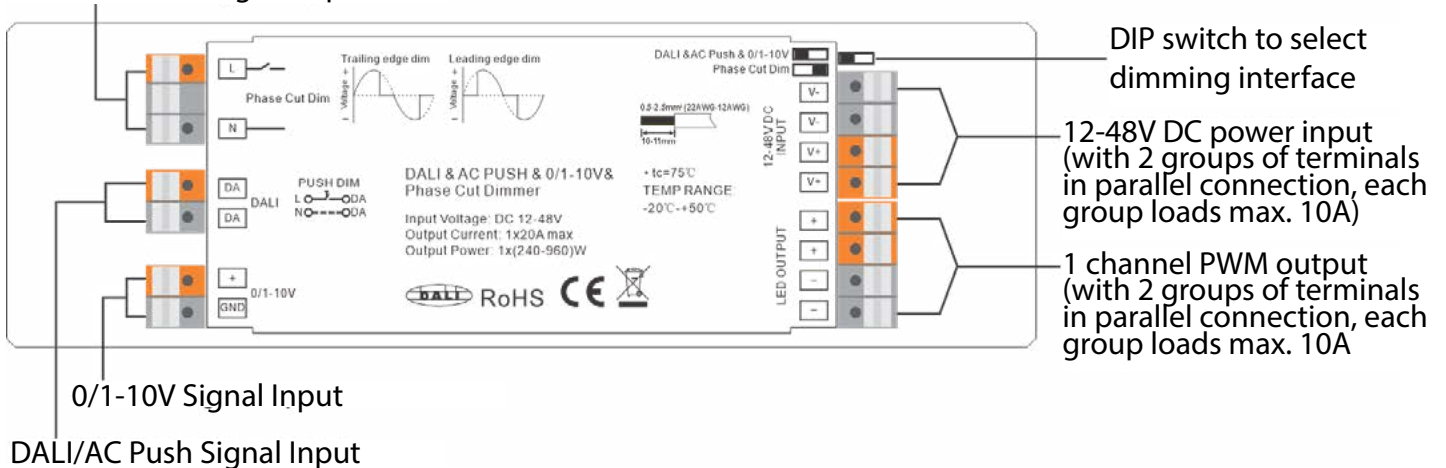
## CONNECTIONS



## DIMENSIONS



## Phase Cut Dim Signal Input



# LC-DIM-4IN1

## DALI+Push+Phase Cut+0/1-10V LED Dimmer

- Multifunction 4 in 1 LED Dimmer, with DALI, AC push, 0/1-10V and Phase Cut dimming interfaces
- In compliance with IEC 62386-101:2014, IEC 62386-102:2014, IEC 62386-207 Ed2.
- Built-in DALI-2 interface, DALI DT6 device
- Match all DALI systems in the market
- Dip switch to select different dimming interfaces
- 1 channel 12-48VDC output, max. 20A
- Supports both leading edge and trailing edge dimming input
- 1 DALI address assigned by DALI master
- Compatible with universal phase cut dimmers
- To work with power repeater to expand output power unlimitedly.
- Waterproof grade: IP20

## SPECIFICATIONS

- Dimensions 170x53.4x28 mm
- 5 Year Warranty
- UL, CE and RoHS compliant
- 12-48 V DC
- 20 A output
- 240-960W
- Operating temperature -25<sup>0</sup>~+50<sup>0</sup>C
- IP20

## PRODUCT DATA

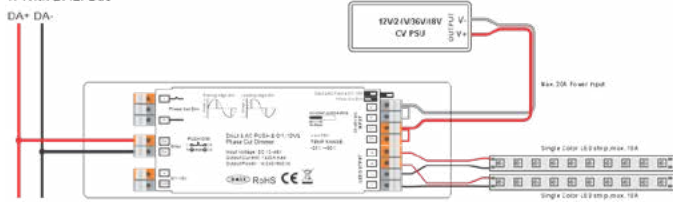
Input Voltage	Output Current	Output Power	Remarks	Size (LxWxH)	Dimming Input	DALI Consumption	Dimming Range	Ambient Temperature
12-48VDC	1x20A	1x(240-960)W	Constant Voltage	170x53.4x28mm	DALI&AC Push& 0/1-10V&Phase Cut	2mA	0.1%-100%	-20°C +50°C

## CONNECTIONS

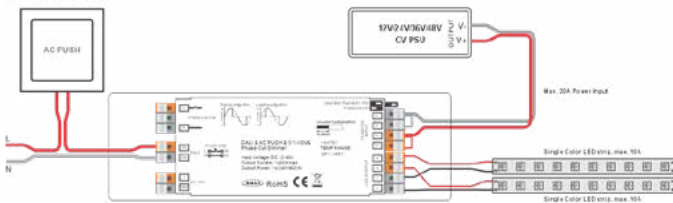
Wiring Diagram (When connecting with two separate loads and each one is not over 10A)

Note: the device allows 0.5-2.5mm<sup>2</sup> wire specifications, please make sure the rated current of the used wire is enough for the loads.

1. With DALI Bus

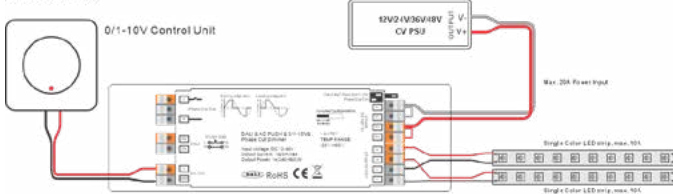


2. With AC Push

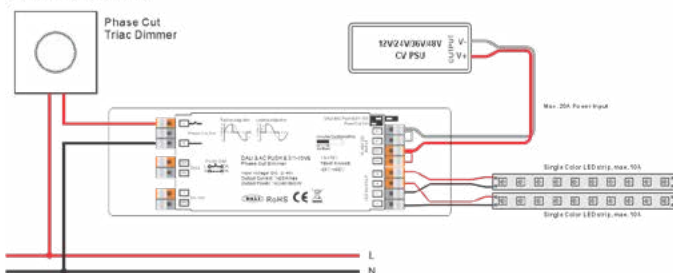


Note: the Push Dim input voltage range is 100-240VAC.

3. With 0/1-10V



4. With Phase Cut Dim

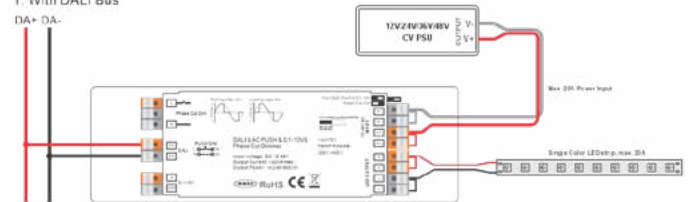


Note: the Phase Cut Dim input voltage range is 100-240VAC.

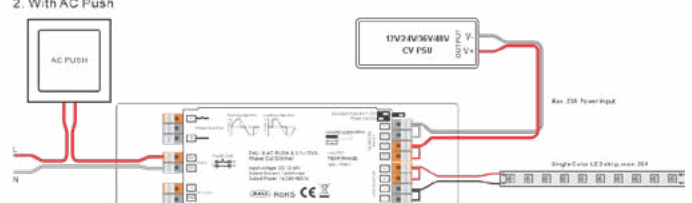
Wiring Diagram (When connecting with a single load that is over 10A)

Note: the device allows 0.5-2.5mm<sup>2</sup> wire specifications, please make sure the rated current of the used wire is enough for the loads.

1. With DALI Bus

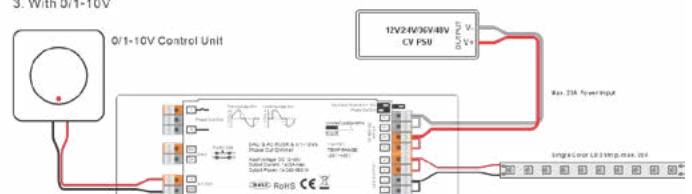


2. With AC Push

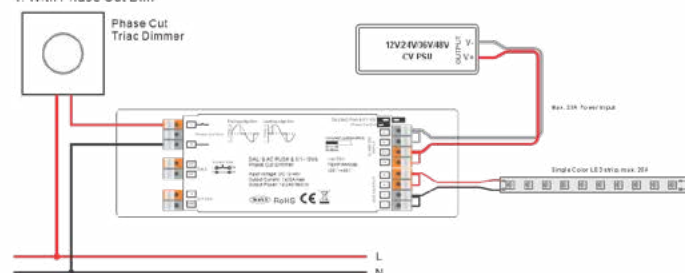


Note: the Push Dim input voltage range is 100-240VAC.

3. With 0/1-10V

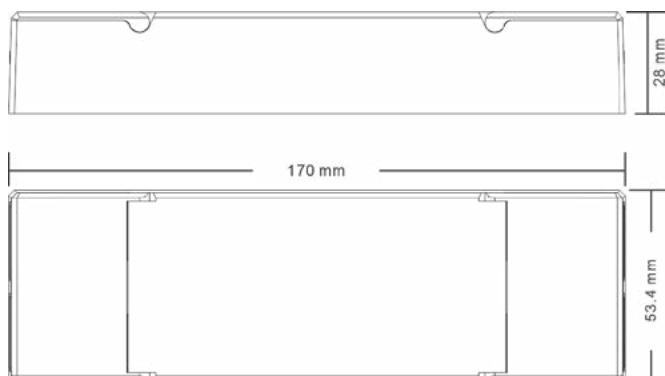


4. With Phase Cut Dim



Note: the Phase Cut Dim input voltage range is 100-240VAC.

## DIMENSIONS





# LUCOLED

*Experience Lighting*

## **BELGIUM**

Venusstraat 5  
3290 Diest  
Belgium

[www.lucoled.com](http://www.lucoled.com)

☎: +32 (0) 13292829  
✉: [info@lucoled.com](mailto:info@lucoled.com)

## **THE NETHERLANDS**

Rotterdamseweg 388F  
2629 HG Delft  
The Netherlands

[www.lucoled.com](http://www.lucoled.com)

☎: +31 (0) 153649186  
✉: [info@lucoled.com](mailto:info@lucoled.com)

## **LUCOLED INDIA PVT LTD.**

Gate No.725, Gadewadi  
Lavasa Link Road, Urawade  
Taluka Mulshi, Pune 412115  
India

[www.lucoled.in](http://www.lucoled.in)

☎: +91 8484056019  
✉: [info@lucoled.in](mailto:info@lucoled.in)