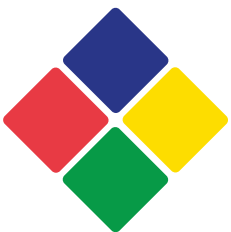


# LED SIGNAGE SOLUTIONS



# LUCOLED

*Experience Lighting*

February 2026

# LUCOLED

## BACK LIGHTING

### EXTREME

XR10	04
XR20/24/28	06

### PREMIUM

PV10	08
PV20/PV24	10
PV30	12
PV44	14

### VALUE

VR10	16
VR23	18
VR24	20
VR33	22
VR40	24

### PLUS

BL11	26
BL15	28
BL16	30
BL17	32
BL20	34
BL28-TW	36
BL31	38
BL36 RGBW	40
BL60-TW	42
BL72	44
BLI	46
BLE	48
DS80/OS80	50

## EDGE LIGHTING

EL10	52
EL31	54
EL37	56

## POWER SUPPLIES AND CONTROLS

POWER SUPPLIES AND CONTROLS	58
-----------------------------	----

## EPREL ENERGY EFFICIENCY LABELLING

EPREL Energy efficiency class	64
-------------------------------	----



# LUCOLED

*Experience Lighting*

## **LUCOLED: NOT JUST ANOTHER LED COMPANY**

### **PAY FOR PERFORMANCE**

At LucoLED we operate at the simple principle that the customer should only pay for product performance and not for the overhead and excessive margins most major brands add to their cost.

It is LucoLED's mission to provide fit for purpose, reliable and efficient lighting solutions for visual communication and brand identity.

### **EXPERIENCE**

LucoLED is based on over 25 years of experience in the signage industry and has developed an in depth knowledge of the basic needs of the market. Backed by industry leading design and production facilities LucoLED provides high quality products with exceptional performance and warranties.

LucoLED's ODM production uses state of the art equipment and has extensive R&D and testing facilities.

Besides a range of standard products LucoLED can also offer tailor made solutions with minimum lead time.

### **COMPLETE SOLUTION**

LucoLED offers a complete system solution for letters, light boxes, flexible and linear accents. Including their own full range power A. LucoLED offers an extended system warranty up to the lifetime of the sign as we believe in our products.

### **GLOBAL REACH**

LucoLED products are available globally through a distribution and logistics network covering over 80 countries. With offices in Belgium, The Netherlands and India and seven warehouse locations in various countries we optimise logistics and guarantee a short delivery time for local customers.

### **REFERENCES**

LucoLED products are used by many international brands as Shell, Lidl, Starbucks, ESSO, UNO, PUMA, Pizza Hut, Mc Donald's, BP and many more.

### **INNOVATION**

LucoLED continues to bring innovations to the LED sign industry. Examples are Lucoline, high efficiency optics, intelligent controls for dimming, layout software tools for Lucoline, lightboxes and channel letters.



# LUCOLED XR10



- *Advanced Helios Ultra Flat Beam lens technology*
- *Constant Current Technology*
- *Narrow white binning*
- *24 Volt for longer module chains*
- *Sign Life Warranty, 4 years extended labour coverage included.*

**Lucoled Extreme XR10 modules** offer a high quality and efficient backlit solution for lightboxes and channel letters between 25 mm and 75 mm deep.

Using efficient LED technology and Helios flat beam optics Lucoled Extreme series offers industry leading efficacy and coverage.

The XR10 modules are designed for channel letters with a depth as shallow as 25 mm and offer a cost effective alternative to Block LED solid acrylic letters.

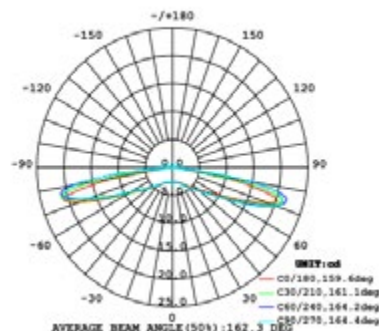
Lucoled Extreme series offers a 4 years extended warranty as part on the Sign Life Warranty, making it the optimum choice for your high valued projects and critical installations. Your warranty exposure is reduced to a minimum.

## SPECIFICATIONS

- Dimensions 31.5x19x8 mm
- Sign Life Warranty (first 2 years extended)
- Beam angle: 175°
- Can be cut between every unit
- UL, CE and RoHS compliant
- Narrow white binning, SDMC 3
- 24 V DC Constant Current Technology
- Operating temperature -40°~+60°C

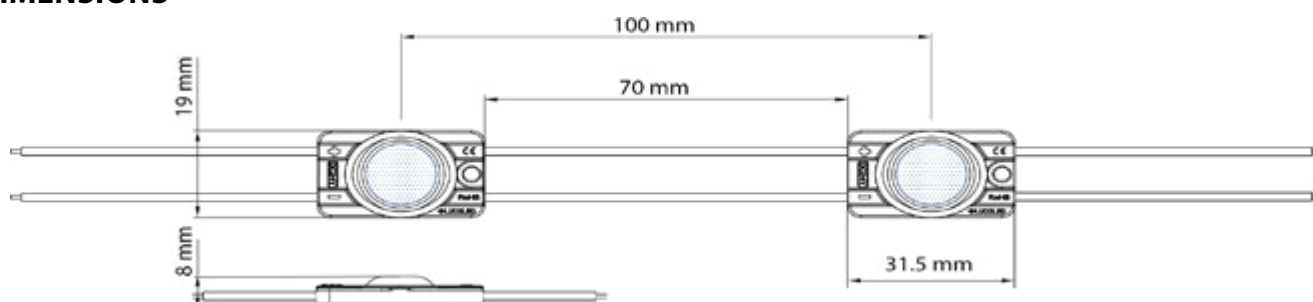


## LUMINOUS INTENSITY DISTRIBUTION

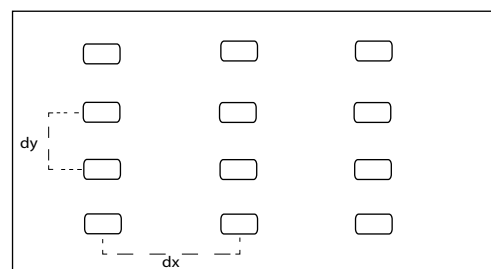


Item no	LED colour	CT (K)/nm	CRI	Power (W/mod)	Flux (lm/mod)	Efficacy (lm/W)	Voltage (DC)	Modules per chain	Energy Class
XR10-W65	white	6500	>80	0.36	60	167	24	60	C

## DIMENSIONS



Light box depth (mm)	Module	Space between modules (mm)	Installing density (pcs/m <sup>2</sup> )	Wattage per m <sup>2</sup> (W)	Lumen per m <sup>2</sup> (Lm)
dz=25	XR10	dx=55, dy=55	324	116.6	6996
dz=50	XR10	dx=75, dy=65	195	70.2	4212
dz=75	XR10	dx=100, dy=65	150	54.0	3240



Results may vary depending on face material properties. The data above was obtained using 3mm thick opaque acrylic with a 54% light transmittance. Lucoled advises to paint the inside of the box/letters in a matt white colour for achieving an optimal result. Always test before production.

## POWER SUPPLY CAPACITY 24V SERIES

Item	xx2430	xx2460	xx24100	xx24150	VP24240	VP24400
Power Output	30W	60W	100W	150W	240W	400W
XR10 modules / power supply (Maximum 60 XR10 modules per chain)	75	150	250	375	600	1000

## PACKAGING

Item	Qty (pcs/bag)	Qty (bag / carton)	Total Qty (pcs / carton)	Total weight (kg)	Carton size (LxWxH) in mm
XR10	120	14	1680	10.8	528 x 376 x 272



## LUCOLED XR 20/24/28



- *Most energy efficient LED module on the market: up to 197 lumen per Watt*
- *Advanced Helios Ultra Flat Beam lens technology*
- *Constant Current Technology*
- *Narrow white binning*
- *24 Volt for longer module chains*
- *Sign Life Warranty, 4 years extended labour coverage included.*

**Lucoled Extreme XR modules** offer a high quality and the most efficient backlit solution for lightboxes and channel letters between 40 mm and 300 mm deep.

Using the most efficient LED technology available and Helios flat beam optics Lucoled Extreme series offers industry leading efficacy and coverage. This not only reduces the amount of modules needed for an application, but also the overall power consumption, reducing the total cost of ownership of a project.

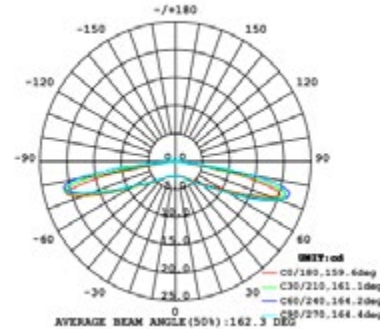
Lucoled Extreme series offers a 4 years extended warranty as part on the Sign Life Warranty, making it the optimum choice for your high valued projects and critical installations. Your warranty exposure is reduced to a minimum.

## SPECIFICATIONS

- Dimensions 58x17x8.3 mm
- Sign Life Warranty (first 2 years extended)
- Beam angle: 175°
- Can be cut between every unit
- UL, CE and RoHS compliant
- Narrow white binning, SDMC 3
- 24 V DC Constant Current Technology
- Operating temperature -40°~+60°C

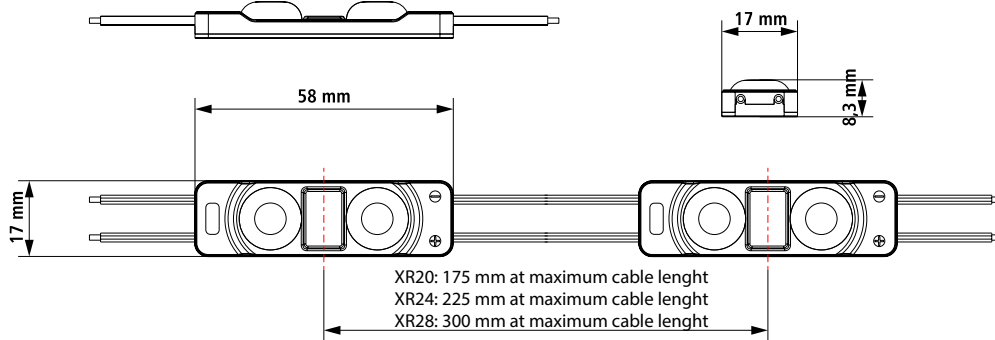


## LUMINOUS INTENSITY DISTRIBUTION

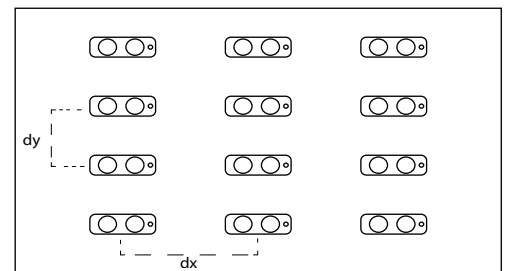


Item no	LED colour	CT (K)/nm	CRI	Power (W/mod)	Flux (lm/mod)	Efficacy (lm/W)	Voltage (DC)	Modules per chain	Energy Class
XR20-W70	white	7000	>74	0.35	65	186	24	100	B
XR24-W30	white	3000	>74	0.72	133	184	24	60	B
XR24-W40	white	4000	>74	0.73	144	197	24	60	B
XR24-W50	white	5000	>74	0.71	137	193	24	60	B
XR24-W70	white	7000	>74	0.67	126	188	24	60	B
XR28-W40	white	4000	>74	1.00	192	193	24	45	B
XR28-W50	white	5000	>74	1.02	187	183	24	45	C
XR28-W70	white	7000	>74	1.02	187	183	24	45	C

## DIMENSIONS



Light box depth (mm)	Module	Space between modules (mm)	Installing density (pcs/m <sup>2</sup> )	Wattage per m <sup>2</sup> (W)	Lumen per m <sup>2</sup> (W) based on 7000K
dz=40	XR20	dx=95, dy=95	100	35.0	6500
dz=60	XR20	dx=110, dy=110	80	28.0	5200
dz=60	XR24	dx=125, dy=125	64	42.9	8064
dz=80	XR24	dx=160, dy=160	36	24.1	4536
dz=100	XR24	dx=225, dy=165	27	18.1	3402
dz=100	XR28	dx=200, dy=200	25	25.5	4675
dz=120	XR28	dx=220, dy=220	20	20.4	3740
dz=140	XR28	dx=250, dy=250	16	16.3	2992
dz=180	XR28	dx=300, dy=240	14	14.3	2618



Results may vary depending on face material properties. The data above was obtained using 3mm thick opaque acrylic with a 54% light transmittance. Lucoled advises to paint the inside of the box/letters in a matt white colour for achieving an optimal result. Always test before production.

## POWER SUPPLY CAPACITY 24V SERIES

Item	xx2430	xx2460	xx24100	xx24150	VP24240	VP24400
Power Output	30W	60W	100W	150W	240W	400W
XR20 modules / power supply (Maximum 100 XR20 modules per chain)	77	154	257	385	617	1028
XR24 modules / power supply (Maximum 60 XR24 modules per chain)	40	76	134	201	300	500
XR28 modules / power supply (Maximum 45 XR28 modules per chain)	26	52	88	132	211	352

## PACKAGING

Item	Qty (pcs/bag)	Qty (bag / carton)	Total Qty (pcs / carton)	Total weight (kg)	Carton size (LxWxH) in mm
XR20	100	12	1200	16.0	528 x 376 x 272
XR24	60	20	1200	16.0	528 x 376 x 272
XR28	45	24	1080	17.8	528 x 376 x 272



## LUCOLED PV10



- *5 years warranty*  
*First 2 years extended warranty*
- *Lucolense prismatic angle technology*
- *Highest efficacy*
- *Constant Current Technology*
- *Narrow white binning*

**Lucoled Premium Value PV10 modules** offer a high quality and efficient backlit solution for lightboxes and channel letters between 40 and 100mm deep.

Using the latest high efficient LED technology and high quality optics Lucoled Premium Value series offers industry leading efficacy and coverage. This not only reduces the amount of modules needed for an application, but also the overall power consumption, reducing the total cost of ownership of a project.

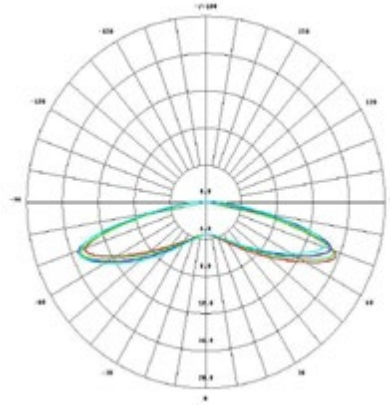
Lucoled Premium Value series offers a 2 years extended warranty, making it the optimum choice for your high valued projects and critical installations. Your warranty exposure is reduced to a minimum.

## SPECIFICATIONS

- Dimensions 41x16x7.5mm
- Warranty 5 years (first 2 years extended)
- Beam angle: 170°
- Can be cut between every unit
- EL, CE and RoHS compliant
- Narrow white binning
- Constant Current Technology
- Operating temperature -25~+60°C

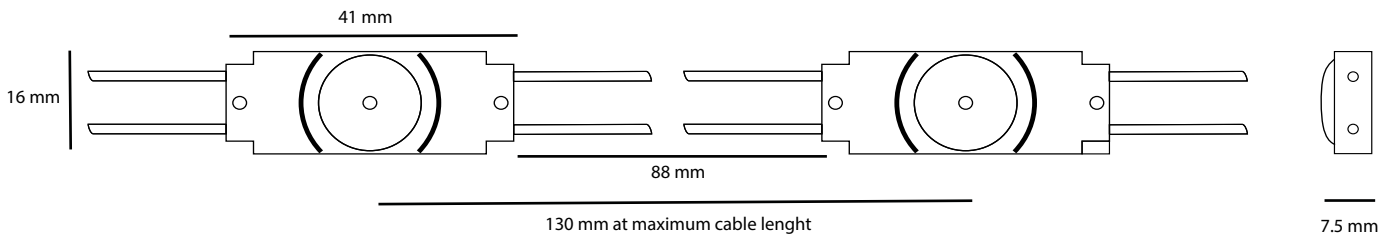


## LUMINOUS INTENSITY DISTRIBUTION



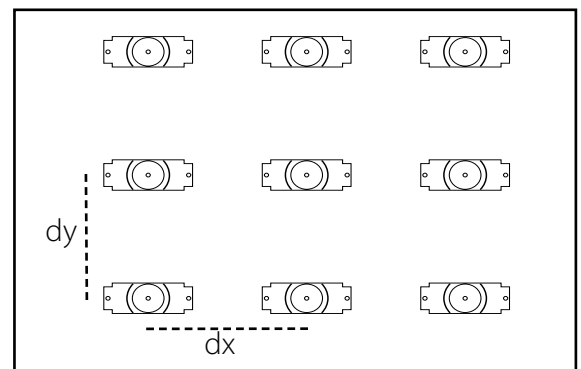
Item no	LED colour	CT (K)/nm	CRI	Power (W/mod)	Flux (lm/mod)	Efficacy (lm/W)	Voltage (DC)	Modules per chain	Modules per carton
PV10-W30	white	3000	>75	0.30	45	152	12	50	1800
PV10-W40	white	4000	>75	0.30	49	161	12	50	1800
PV10-W50	white	5000	>75	0.30	49	160	12	50	1800
PV10-W65	white	6500	>75	0.29	48	165	12	50	1800
PV10-W71	white	7100	>75	0.29	46	158	12	50	1800
PV10-R	red	600-625nm		0.30	9	30	12	50	1800

## DIMENSIONS



Light box depth (mm)	Space between modules (mm)	Installing density (pcs/m <sup>2</sup> )	Lumen per m <sup>2</sup> (Lm) based on 6500K
dz=60	dx=90, dy=90	100	4800
dz=80	dx=120, dy=120	64	3072
dz=100	dx=130, dy=130	49	2352
dz=120	dx=130, dy=140	49	2352

Results may vary depending on face material properties. The data above was obtained using 3mm thick opaque acrylic with a 54% light transmittance. Lucoled advises to paint the inside of the box/ letters in a matt white colour for achieving an optimal result. Always test before production.



## POWER SUPPLY CAPACITY 12V SERIES

Item	xx1230	xx1260	xx12100	xx12150	VP12240	VP12400
Power Output	30W	60W	100W	150W	240W	400W
PV10 modules / power supply	93	186	310	465	745	1090
<b>Maximum 50 modules per chain</b>						

## PACKAGING

Item	Qty (pcs/bag)	Qty (bag / carton)	Total Qty (pcs / carton)	Total weight (kg)	Carton size (LxWxH) in mm
PV10	50	36	1800	16,6	528 x 376 x 272

# Cartier

## LUCOLED PV20/PV24



- *5 years warranty*  
*First 2 years extended warranty*
- *Lucolense prismatic angle technology*
- *Highest efficacy*
- *Constant Current Technology*
- *Narrow white binning*

**Lucoled Premium Value PV20 and PV24 modules** offer a high quality and efficient backlit solution for lightboxes and channel letters between 60 and 100mm deep.

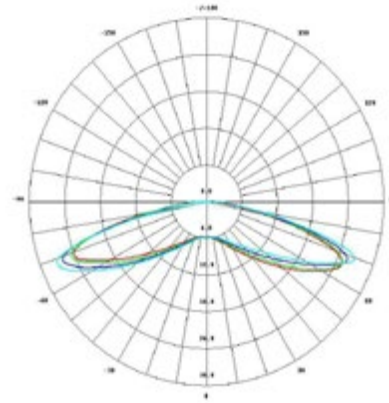
Using the latest high efficient LED technology and high quality optics Lucoled Premium Value series offers industry leading efficacy and coverage. This not only reduces the amount of modules needed for an application, but also the overall power consumption, reducing the total cost of ownership of a project.

Lucoled Premium Value series offers a 2 years extended warranty, making it the optimum choice for your high valued projects and critical installations. Your warranty exposure is reduced to a minimum.

## SPECIFICATIONS

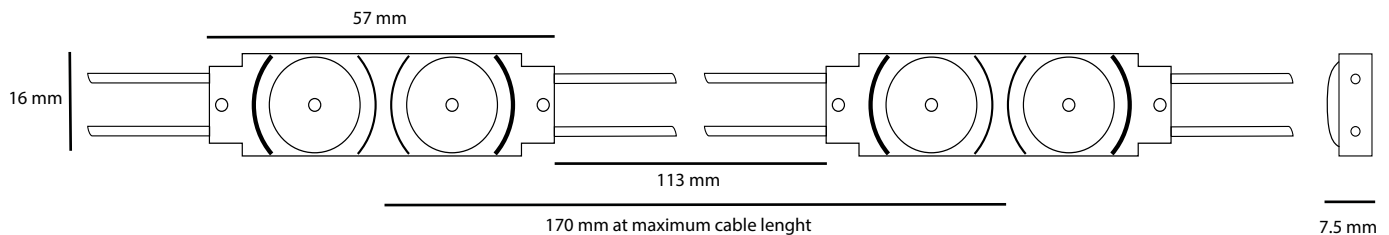
- Dimensions 57x16x7.5mm
- Warranty 5 years (first 2 years extended)
- Beam angle: 170°
- Can be cut between every unit
- EL, CE and RoHS compliant
- Narrow white binning
- Constant Current Technology
- Operating temperature -25~+60°C

## LUMINOUS INTENSITY DISTRIBUTION

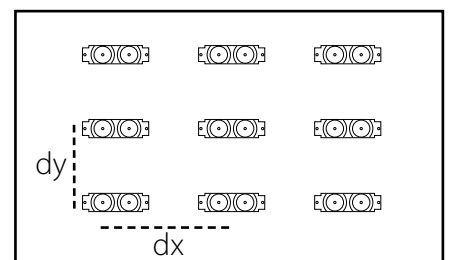


Item no	LED colour	CT (K)	CRI	Power (W/mod)	Flux (lm/mod)	Efficacy (lm/W)	Voltage (DC)	Modules per chain	Modules per carton
PV20-W30	white	3000	>75	0.71	99	139	12	40	1200
PV20-W40	white	4000	>75	0.72	114	158	12	40	1200
PV20-W50	white	5000	>75	0.72	113	157	12	40	1200
PV20-W65	white	6500	>75	0.70	113	161	12	40	1200
PV20-W71	white	7100	>75	0.74	110	148	12	40	1200
PV20-R	red	600-625nm		0.72	22	31	12	40	1200
PV24-W65	white	6500	>75	0.71	110	155	<b>24</b>	40	1200

## DIMENSIONS



Light box depth (mm)	Module	Space between modules (mm)	Installing density (pcs/m <sup>2</sup> )	Lumen per m <sup>2</sup> (Lm) based on 6500K
dz=60	PV20	dx=130, dy=100	72	8136
dz=80	PV20	dx=150, dy=150	43	4859
dz=100	PV20	dx=170, dy=160	36	4068
dz=120	PV20	dx=170, dy=170	25	2825



Results may vary depending on face material properties. The data above was obtained using 3mm thick opaque acrylic with a 54% light transmittance. Lucoled advises to paint the inside of the box/letters in a matt white colour for achieving an optimal result. Always test before production.

## POWER SUPPLY CAPACITY 12V SERIES

Item	xx1230	xx1260	xx12100	xx12150	VP12240	VP12400
Power Output	30W	60W	100W	150W	240W	400W
PV20 modules / power supply	38	75	125	188	309	514
<b>Maximum 40 modules per chain</b>						

## POWER SUPPLY CAPACITY 24V SERIES

Item	xx2430	xx2460	xx24100	xx24150	VP24240	VP24400
Power Output	30W	60W	100W	150W	240W	400W
PV24 modules / power supply	38	75	125	188	309	514
<b>Maximum 80 modules per chain</b>						

## PACKAGING

Item	Qty (pcs/bag)	Qty (bag / carton)	Total Qty (pcs / carton)	Total weight (kg)	Carton size (LxWxH) in mm
PV20/PV24	40	30	1200	15.2	528 x 376 x 272

The image shows the Adidas logo in a large, illuminated font on a dark ceiling. The logo is white and stands out against the dark background. The ceiling is part of a store interior, with other lights and structures visible in the background.

# adidas

## LUCOLED PV30



- *5 years warranty*  
*First 2 years extended warranty*
- *Lucolense prismatic angle technology*
- *Highest efficacy*
- *Constant Current Technology*
- *Narrow white binning*

**Lucoled Premium Value PV30 modules** offer a high quality and efficient backlit solution for lightboxes and channel letters between 80 and 120mm deep.

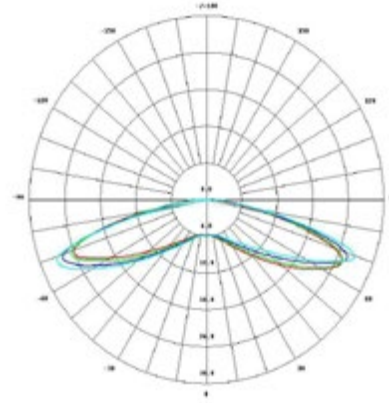
Using the latest high efficient LED technology and high quality optics Lucoled Premium Value series offers industry leading efficacy and coverage. This not only reduces the amount of modules needed for an application, but also the overall power consumption, reducing the total cost of ownership of a project.

Lucoled Premium Value series offers a 2 years extended warranty, making it the optimum choice for your high valued projects and critical installations. Your warranty exposure is reduced to a minimum.

## SPECIFICATIONS

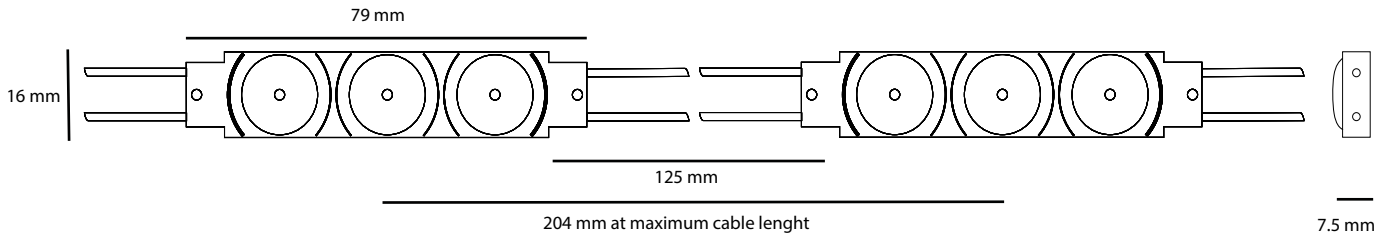
- Dimensions 79x16x7.5mm
- Warranty 5 years (first 2 years extended)
- Beam angle: 170°
- Can be cut between every unit
- EL, CE and RoHS compliant
- Narrow white binning
- Constant Current Technology
- Operating temperature -25~+60°C

## LUMINOUS INTENSITY DISTRIBUTION



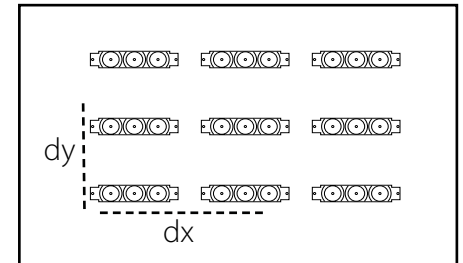
Item no	LED colour	CT (K)	CRI	Power (W/mod)	Flux (lm/mod)	Efficacy (lm/W)	Voltage (DC)	Modules per chain	Modules per carton
PV30-W65	white	6500	>75	1.0	160	160	12	30	900

## DIMENSIONS



Light box depth (mm)	Space between modules (mm)	Installing density (pcs/m <sup>2</sup> )	Lumen per m <sup>2</sup> (Lm)
dz=80	dx=160, dy=140	42	6720
dz=100	dx=190, dy=160	28	4480
dz=120	dx=200, dy=170	23	3680

Results may vary depending on face material properties. The data above was obtained using 3mm thick opaque acrylic with a 54% light transmittance. Lucoled advises to paint the inside of the box/letters in a matt white colour for achieving an optimal result. Always test before production.



## POWER SUPPLY CAPACITY 12V SERIES

Item	xx1230	xx1260	xx12100	xx12150	VP12240	VP12400
Power Output	30W	60W	100W	150W	240W	400W
PV30 modules / power supply	27	54	90	135	216	360
<b>maximum 30 modules per chain</b>						

## PACKAGING

Item	Qty (pcs/bag)	Qty (bag / carton)	Total Qty (pcs / carton)	Total weight (kg)	Carton size (LxWxH) in mm
PV30	30	30	900	15.5	528 x 376 x 272

# HOLLAND CASINO

## LUCOLED PV44



- *5 years warranty*  
*First 2 years extended warranty*
- *Lucolense prismatic angle technology*
- *Highest efficacy*
- *Constant Current Technology*
- *Narrow white binning*

**Lucoled Premium Value PV44 modules** offer a high quality and efficient backlit solution for lightboxes and channel letters between 80 and 140mm deep.

Using the latest high efficient LED technology and high quality optics Lucoled Premium Value series offers industry leading efficacy and coverage. This not only reduces the amount of modules needed for an application, but also the overall power consumption, reducing the total cost of ownership of a project.

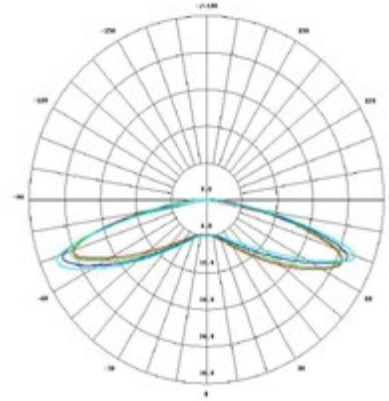
Lucoled Premium Value series offers a 2 years extended warranty, making it the optimum choice for your high valued projects and critical installations. Your warranty exposure is reduced to a minimum.

## SPECIFICATIONS

- Dimensions 49x39x7.5mm
- Warranty 5 years (first 2 years extended)
- Beam angle: 170°
- Can be cut between every unit
- EL, CE and RoHS compliant
- Narrow white binning
- Constant Current Technology
- Operating temperature -25~+60°C

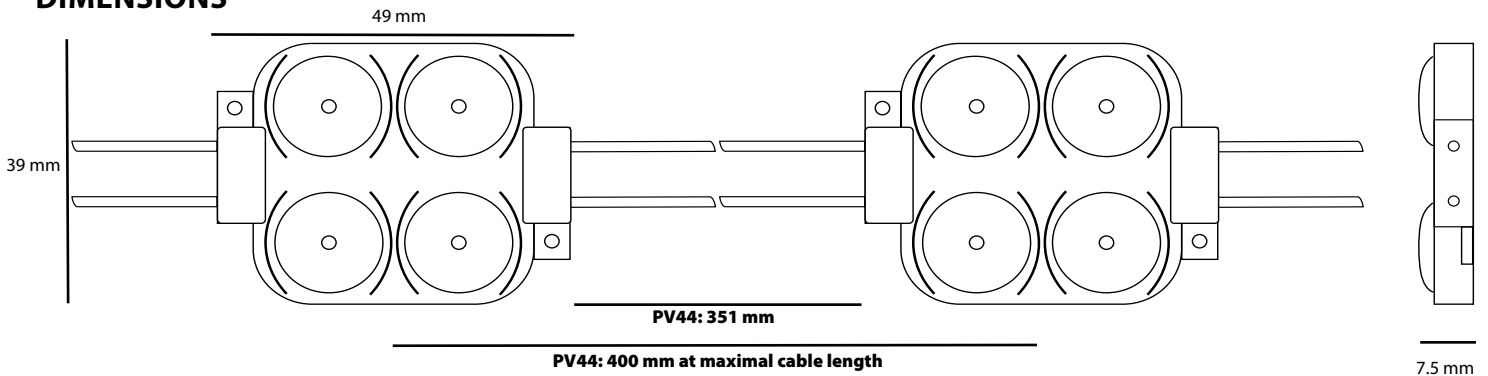


## LUMINOUS INTENSITY DISTRIBUTION



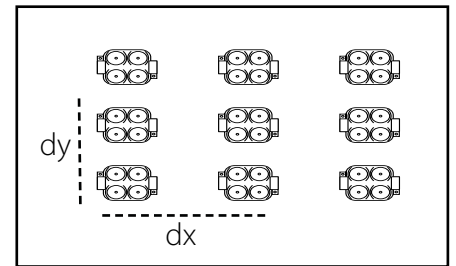
Item no	LED colour	CT (K)	CRI	Power (W/mod)	Flux (lm/mod)	Efficacy (lm/W)	Voltage (DC)	Modules per chain	Modules per carton
PV44-W65	white	6500	>75	1.44	224	154	24	55	550
PV44-W50	white	5000	>75	1.44	224	154	24	55	550

## DIMENSIONS



Light box depth (mm)	Space between modules (mm)	Installing density (pcs/m <sup>2</sup> )	Lumen per m <sup>2</sup> (Lm) based on 6500K
dz=120	dx=325, dy=325	16	3584
dz=150	dx=350, dy=350	9	2016
dz=200	dx=400, dy=400	4	896

Results may vary depending on face material properties. The data above was obtained using 3mm thick opaque acrylic with a 54% light transmittance. Lucoled advises to paint the inside of the box/letters in a matt white colour for achieving an optimal result. Always test before production.



## POWER SUPPLY CAPACITY 24V SERIES

Item	xx2430	xx2460	xx24100	xx24150	VP24240	VP24400
Power Output	30W	60W	100W	150W	240W	400W
PV44 modules / power supply	18	38	63	94	148	246
<b>Maximum 55 modules per chain</b>						

## PACKAGING

Item	Qty (pcs/bag)	Qty (bag / carton)	Total Qty (pcs / carton)	Total weight (kg)	Carton size (LxWxH) in mm
PV44	55	10	550	12,0	528 x 376 x 272



## LUCOLED VR10



- *5 years warranty*
- *Lucolense wide angle technology*
- *Medium efficacy*
- *Constant Current Technology*
- *Narrow white binning*

**Lucoled Value Range VR10 modules** offer a high quality and efficient backlit solution for lightboxes and channel letters between 80 and 120mm deep.

Lucoled VR series use medium efficiency LED's, optics and high quality components, resulting in a reliable, efficient, fit-for-purpose, solution for your every-day sign projects.

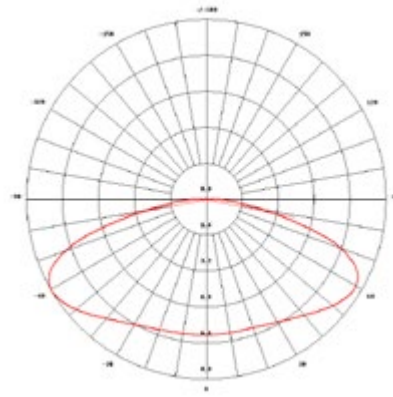
Lucoled VR series offer an excellent price-performance ratio and a 5 year warranty.

## SPECIFICATIONS

- Dimensions 35x16x7.8mm
- Warranty 5 years
- Beam angle: 160°
- Can be cut between every unit
- EL, CE and RoHS compliant
- Narrow white binning
- Constant Current Technology
- Operating temperature -25~+60°C

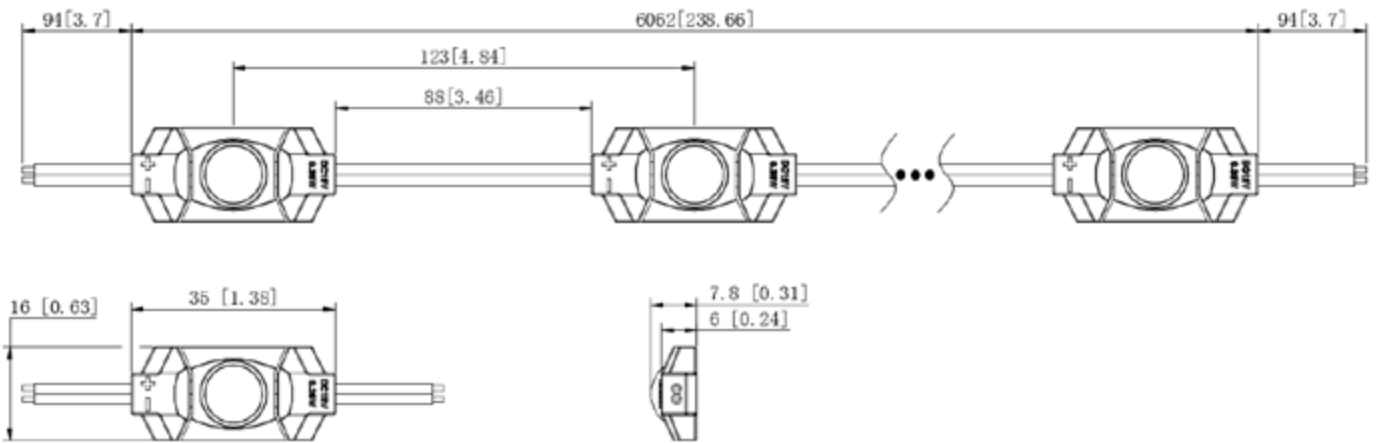


## LUMINOUS INTENSITY DISTRIBUTION



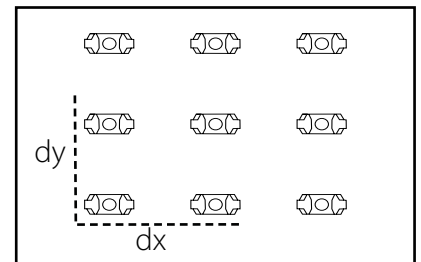
Item no	LED colour	CT (K)	CRI	Power (W/mod)	Flux (lm/mod)	Efficacy (lm/W)	Voltage (DC)	Modules per chain	Modules per carton
VR10-W65	white	6500	>75	0.36	44	122	12	50	2000

## DIMENSIONS



Light box depth (mm)	Space between modules (mm)	Installing density (pcs/m <sup>2</sup> )	Lumen per m <sup>2</sup> (Lm)
dz=80	dx=85, dy=85	121	5324
dz=100	dx=95, dy=120	80	3520
dz=120	dx=105, dy=140	63	2772

Results may vary depending on face material properties. The data above was obtained using 3mm thick opaque acrylic with a 54% light transmittance. Lucoled advises to paint the inside of the box/letters in a matt white colour for achieving an optimal result. Always test before production.



## POWER SUPPLY CAPACITY 12V SERIES

Item	xx1230	xx1260	xx12100	xx12150	VP12240	VP12400
Power Output	30W	60W	100W	150W	240W	400W
VR10 modules / power supply	75	150	250	375	600	1000
<b>Maximum 50 modules per chain</b>						

## PACKAGING

Item	Qty (pcs/bag)	Qty (bag / carton)	Total Qty (pcs / carton)	Total weight (kg)	Carton size (LxWxH) in mm
VR10	50	40	2000	12.7	528 x 376 x 272



## LUCOLED VR23



- *Up to 5 years warranty*
- *Lucolense prismatic angle technology*
- *high efficiency of 160 lumen per Watt*
- *Constant Current Technology*
- *Narrow white binning*
- *24V*
- *IP68*

**Lucoled Value Range VR23 modules** offers a high quality and efficient backlit solution for lightboxes and channel letters between 50 and 150mm deep.

Lucoled VR23 uses high efficiency LED's and optics. VR23 modules are manufactured using a revolutionary fully automated production process. This ensures a 100% consistent quality. All modules are in-line tested using vision technology and an AI based system. This results in a highly reliable, fit-for-purpose, solution for your every-day sign projects.

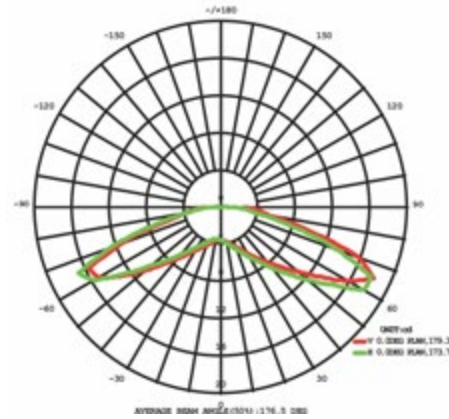
Lucoled VR23 offers the best price-performance ratio on the market.

## SPECIFICATIONS

- Dimensions 41,5x13x10mm
- Warranty 5 years
- Beam angle: 175°
- Can be cut between every unit
- CE and RoHS compliant
- Narrow white binning
- Constant Current Technology
- Operating temperature -20°C~+45°C

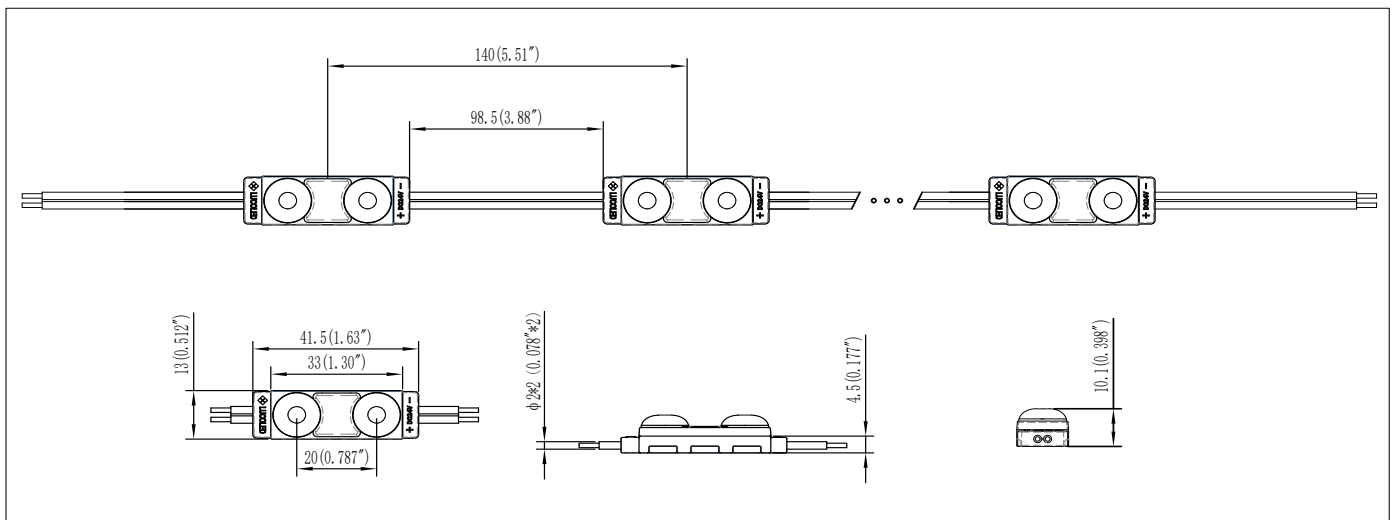


## LUMINOUS INTENSITY DISTRIBUTION

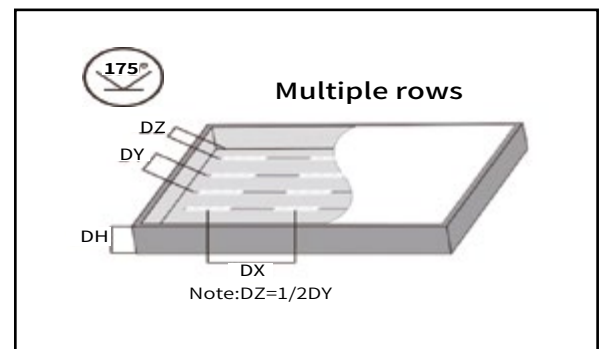


Item no	LED colour	CT (K)	CRI	Power (W/mod)	Flux (lm/mod)	Efficacy (lm/W)	Voltage (DC)	Modules per chain	Modules per carton
VR23-W70	white	7000	>80	0.72	115	160	24	50	2000

## DIMENSIONS



Light box depth (mm)	Space between modules (mm)	Installing density (pcs/m <sup>2</sup> )	Lumen per m <sup>2</sup> (Lm)
dh=60	dx=100, dy=100	81	9315
dh=75	dx=140, dy=152	46	5290
dh=100	dx=140, dy=200	28	3220
dh=125	dx=140, dy=200	28	3220



## POWER SUPPLY CAPACITY 24V SERIES

Item	xx2430	xx2460	xx24100	xx24150	VP24240	VP24400
Power Output	30W	60W	100W	150W	240W	400W
VR23-W70 modules per power supply	37	74	125	208	300	500
<b>Maximum 50 modules per chain</b>						

## PACKAGING

Item	Qty (pcs/bag)	Qty (bag / carton)	Total Qty (pcs / carton)	Total weight (kg)	Carton size (LxWxH) in mm
VR23	200	10	2000	15	530 x 385 x 295

# Paprika



## LUCOLED VR24



- *5 years warranty*
- *Lucolense prismatic angle technology*
- *High efficacy*
- *Constant Current Technology*
- *Narrow white binning*

**Lucoled Value Range VR24 modules** offer a high quality and highly efficient backlit solution for lightboxes and channel letters between 60 and 120mm deep.

Lucoled VR series use high efficiency LED's, prismatic flat beam optics and high quality components, resulting in a reliable, efficient, fit-for-purpose, solution for your every-day sign projects.

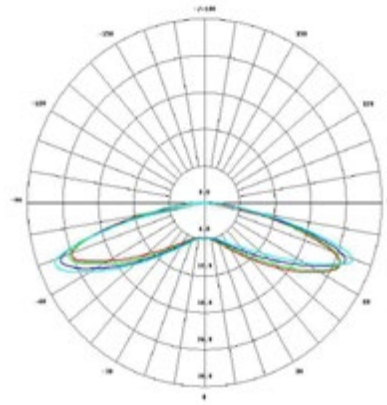
Lucoled VR series offer an excellent price-performance ratio and a 5 year warranty.

## SPECIFICATIONS

- Dimensions 49x16x7.8mm
- Warranty 5 years
- Beam angle: 170° prismatic flat beam
- Can be cut between every unit
- UL, CE and RoHS compliant
- Narrow white binning, McAdams step 3
- Constant Current Technology
- Operating temperature -25~+60°C

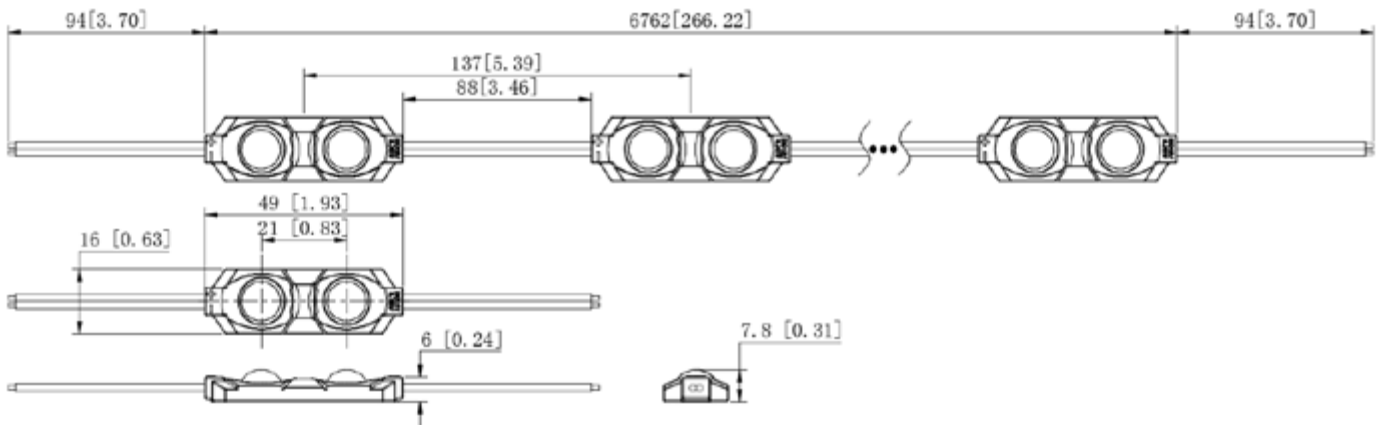


## LUMINOUS INTENSITY DISTRIBUTION

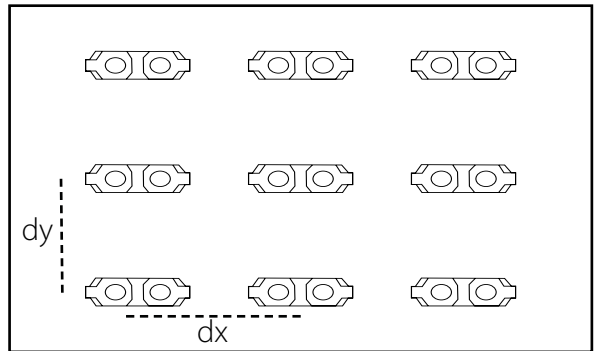


Item no	LED colour	CT (K)	CRI	Power (W/mod)	Flux (lm/mod)	Efficacy (lm/W)	Voltage (DC)	Modules per chain	Modules per carton
VR24-W65	white	6500	>75	0.72	110	152	24	50	2000

## DIMENSIONS



Light box depth (mm)	Space between modules (mm)	Installing density (pcs/m <sup>2</sup> )	Lumen/m <sup>2</sup>
dz=60	dx=110, dy=100	90	9900
dz=80	dx=120, dy=130	60	6600
dz=100	dx=135, dy=130	49	5390
dz=120	dx=135, dy=130	49	5390



Results may vary depending on face material properties. The data above was obtained using 3mm thick opaque acrylic with a 54% light transmittance. Lucoled advises to paint the inside of the box/ letters in a matt white colour for achieving an optimal result. Always test before production.

## POWER SUPPLY CAPACITY 24V SERIES

Item	xx2430	xx2460	xx24100	xx24150	VP24240	VP24400
Power Output	30W	60W	100W	150W	240W	400W
VR24 modules / power supply	38	75	125	188	300	500
<b>Maximum 50 modules per chain</b>						

## PACKAGING

Item	Qty (pcs/bag)	Qty (bag / carton)	Total Qty (pcs / carton)	Total weight (kg)	Carton size (LxWxH) in mm
VR24	50	40	2000	13.9	528 x 376 x 272



## LUCOLED VR33



- *Up to 5 years warranty*
- *Lucolense prismatic angle technology*
- *high efficiency of 160 lumen per Watt*
- *Constant Current Technology*
- *Narrow white binning*
- *24V*
- *IP68*

**Lucoled Value Range VR33 modules** offers a high quality and efficient backlit solution for lightboxes and channel letters between 50 and 150mm deep.

Lucoled VR33 uses high efficiency LED's and optics. VR33 modules are manufactured using a revolutionary fully automated production process. This ensures a 100% consistent quality. All modules are in-line tested using vision technology and an AI based system. This results in a highly reliable, fit-for-purpose, solution for your every-day sign projects.

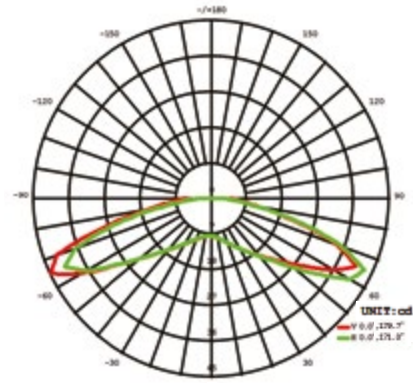
Lucoled VR33 offers the best price-performance ratio on the market.

## SPECIFICATIONS

- Dimensions 61x13x10mm
- Warranty 5 years
- Beam angle: 175°
- Can be cut between every unit
- CE and RoHS compliant
- Narrow white binning
- Constant Current Technology
- Operating temperature -20°C~+45°C

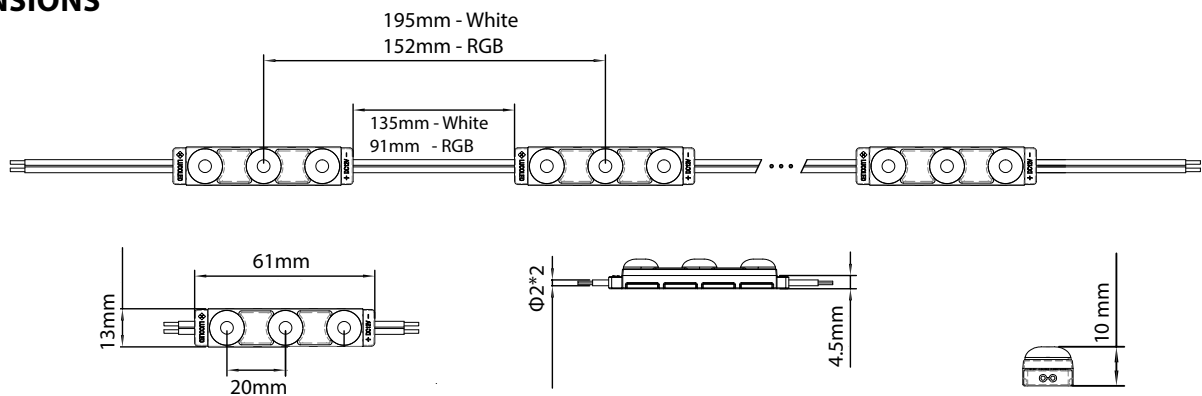


## LUMINOUS INTENSITY DISTRIBUTION

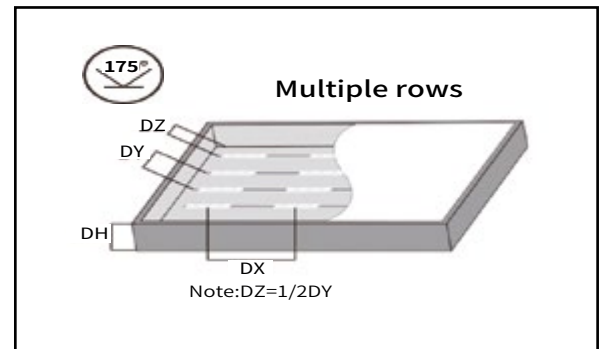


Item no	LED colour	CT (K)	CRI	Power (W/mod)	Flux (lm/mod)	Efficacy (lm/W)	Voltage (DC)	Modules per chain	Modules per carton
VR33-W70	white	7000	>80	1.0	160	160	24	50	1600
VR33-R	red	620-630	-	0.72	25	35	24	50	1600
VR33-G	green	515-525	-	0.72	50	70	24	50	2000
VR33-B	blue	455-465	-	0.72	8	11	24	50	2000

## DIMENSIONS



Light box depth (mm)	Space between modules (mm)	Installing density (pcs/m <sup>2</sup> )	Lumen per m <sup>2</sup> (Lm) based on 7000K
dh=60	dx=125, dy=125	64	1024
dh=75	dx=142, dy=142	49	7840
dh=100	dx=167, dy=167	36	5760
dh=125	dx=195, dy=167	30	4800
dh=150	dx=195, dy=167	30	4800



## POWER SUPPLY CAPACITY 24V SERIES

Item	xx2430	xx2460	xx24100	xx24150	VP24240	VP24400
Power Output	30W	60W	100W	150W	240W	400W
VR33-W70 modules per power supply	27	54	90	135	216	360
VR33-R/G/B modules per power supply	37	75	125	187	300	500
<b>Maximum 50 modules per chain</b>						

## PACKAGING

Item	Qty (pcs/bag)	Qty (bag / carton)	Total Qty (pcs / carton)	Total weight (kg)	Carton size (LxWxH) in mm
VR33-W70/R	200	10	1600	14	530 x 380 x 290
VR33-G/B	200	10	2000	17	530 x 380 x 290



SANA METROPOLITAN HOTEL

## LUCOLED VR40



- *5 years warranty*
- *Lucolense wide angle technology*
- *Medium efficacy*
- *Constant Current Technology*
- *Narrow white binning*

**Lucoled Value Range VR40 modules** offer a high quality and efficient backlit solution for lightboxes and channel letters between 80 and 120mm deep.

Lucoled VR series use medium efficiency LED's, optics and high quality components, resulting in a reliable, efficient, fit-for-purpose, solution for your every-day sign projects.

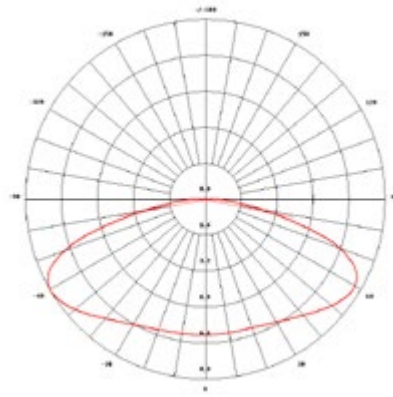
Lucoled VR series offer an excellent price-performance ratio and a 5 year warranty.

## SPECIFICATIONS

- Dimensions 45x38x7.8mm
- Warranty 5 years
- Beam angle: 160°
- Can be cut between every unit
- EL, CE and RoHS compliant
- Narrow white binning
- Constant Current Technology
- Operating temperature -25~+60°C

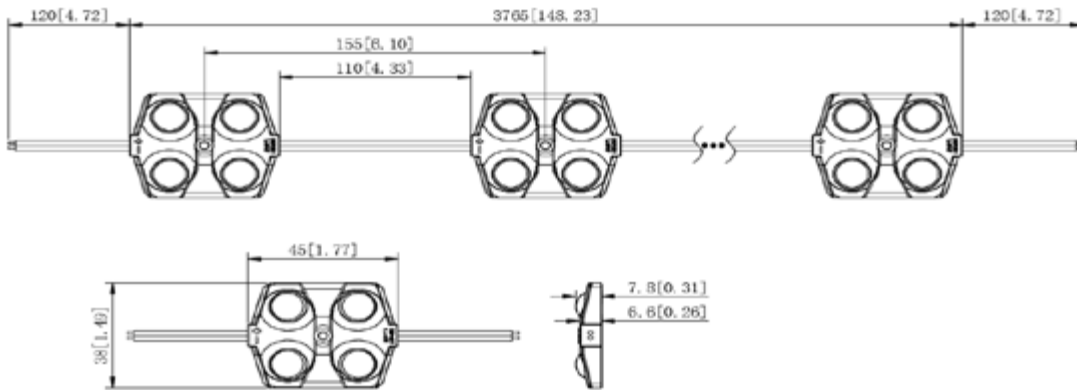


## LUMINOUS INTENSITY DISTRIBUTION



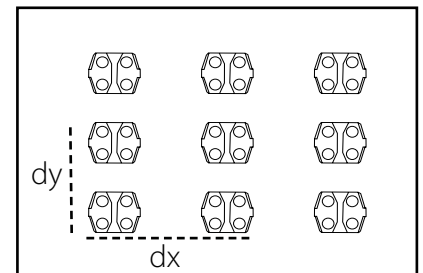
Item no	LED colour	CT (K)	CRI	Power (W/mod)	Flux (lm/mod)	Efficacy (lm/W)	Voltage (DC)	Modules per chain	Modules per carton
VR40-W65	white	6500	>75	1.5	188	125	12	50	800

## DIMENSIONS



Light box depth (mm)	Space between modules (mm)	Installing density (pcs/m <sup>2</sup> )	Lumen per m <sup>2</sup> (Lm)
dz=80	dx=130, dy=80	84	15792
dz=100	dx=155, dy=110	54	10152
dz=120	dx=155, dy=140	42	7896

Results may vary depending on face material properties. The data above was obtained using 3mm thick opaque acrylic with a 54% light transmittance. Lucoled advises to paint the inside of the box/letters in matt white colour for achieving an optimal result. Always test before production.



## POWER SUPPLY CAPACITY 12V SERIES

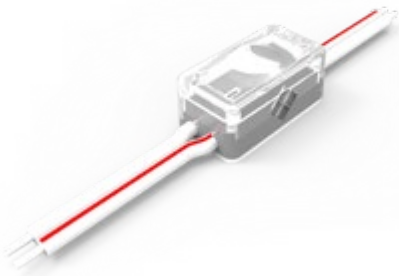
Item	xx1230	xx1260	xx12100	xx12150	VP12240	VP12400
Power Output	30W	60W	100W	150W	240W	400W
VR40 modules / power supply	18	38	63	94	144	240
<b>Maximum 30 modules per chain</b>						

## PACKAGING

Item	Qty (pcs/bag)	Qty (bag / carton)	Total Qty (pcs / carton)	Total weight (kg)	Carton size (LxWxH) in mm
VR40	50	16	800	14.1	528 x 376 x 272



## LUCOLED BL11



- *5 years warranty*  
*First 2 years extended warranty*
- *High efficacy: 158lm/W*
- *Constant Current Technology*
- *Narrow white binning*

**Lucoled Plus BL11 modules** offer a high quality and efficient backlit solution for channel letters made from routed full acrylic.

Lucoled Plus BL11 modules are IP65 and can be used without the need for fully potting the acrylic letters. This makes the production process much cleaner and faster. Potting material can also damage LED phosphor and can have a colour shift and reduced life as a result. The BL11 is a fully enclosed module and does not have this disadvantage.

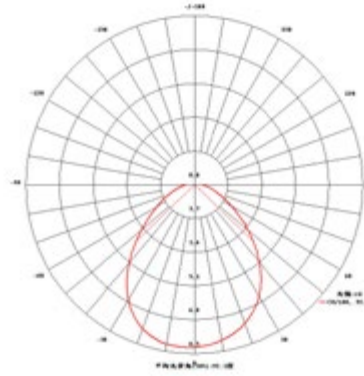
Lucoled Plus BL11 can also be used in very narrow and small traditional channel letters.

## SPECIFICATIONS

- Dimensions 13x7x7mm
- Warranty 5 years (first 2 years extended)
- Beam angle: 120°
- Can be cut between every unit
- UL, CE and RoHS compliant
- Narrow white binning
- Constant Current Technology
- Operating temperature -25~+60C

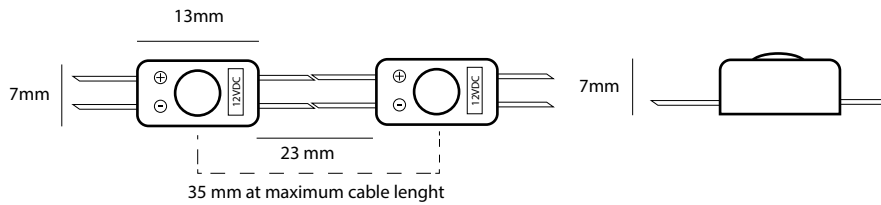


## LUMINOUS INTENSITY DISTRIBUTION



Item no	LED colour	CT (K)	CRI	Power (W/mod)	Flux (lm/mod)	Efficacy (lm/W)	Voltage (DC)	Modules per chain	Modules per carton
BL11-W65	white	6500	>70	0.24	38	158	12	50	8400
BL11-W30	white	3000	>70	0.24	38	158	12	50	8400

## DIMENSIONS



## POWER SUPPLY CAPACITY 12V SERIES

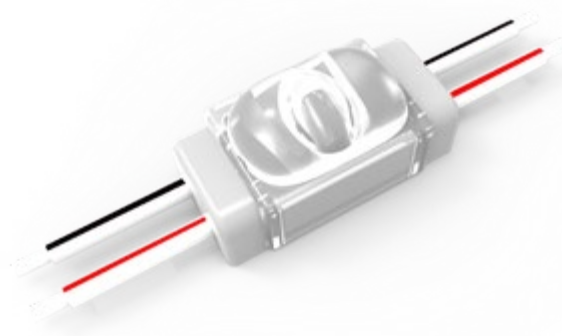
Item	xx1230	xx1260	xx12100	xx12150	VP12240	VP12400
Power Output	30W	60W	100W	150W	240W	400W
BL11 modules / power supply	112	225	375	562	900	1500
<b>Maximum 50 modules per chain</b>						

## PACKAGING

Item	Qty (pcs/bag)	Qty (bag / carton)	Total Qty (pcs / carton)	Total weight (kg)	Carton size (LxWxH) in mm
BL11	300	28	8400	12.5	264 x 376 x 272

# athlete's co.

## LUCOLED BL15



- *5 years warranty*  
*First 2 years extended warranty*
- *Lucolense wide beam technology*
- *High efficacy: 158lm/W*
- *Constant Current Technology*
- *Narrow white binning*

**Lucoled Plus BL15 modules** offer a high quality and efficient backlit solution for channel letters made from routed full acrylic.

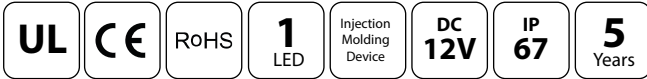
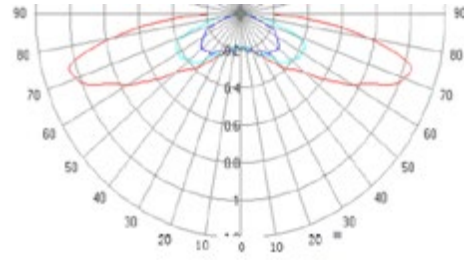
Lucoled Plus BL15 modules are IP67 and can be used without the need for fully potting the acrylic letters. This makes the production process much cleaner and faster. Potting material can also damage LED phosphor and can have a colour shift and reduced life as a result. The BL15 is a fully enclosed module and does not have this disadvantage.

Lucoled Plus BL15 can also be used in very narrow and small traditional channel letters.

## SPECIFICATIONS

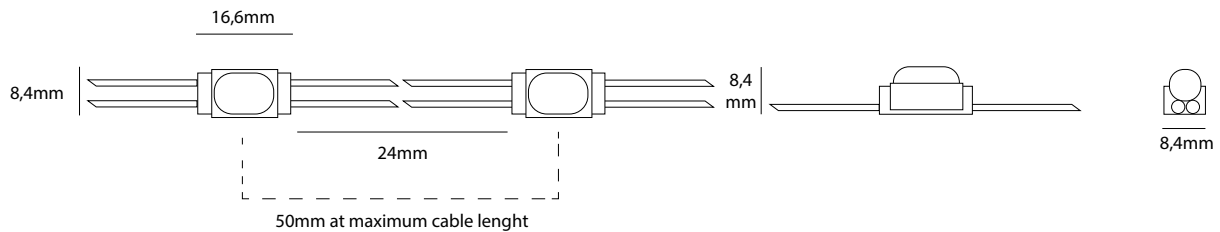
- Dimensions 16.6x8.4x8.4mm
- Warranty 5 years (first 2 years extended)
- Beam angle: 170° x 130° oval
- Can be cut between every unit
- UL, CE and RoHS compliant
- Narrow white binning
- Constant Current Technology
- Operating temperature -25~+80C

## LUMINOUS INTENSITY DISTRIBUTION



Item no	LED colour	CT (K)	CRI	Power (W/mod)	Flux (lm/mod)	Efficacy (lm/W)	Voltage (DC)	Modules per chain	Modules per carton
BL15-W30	white	3000	>70	0.24	38	158	12	50	6000
BL15-W65	white	6500	>70	0.24	38	158	12	50	6000

## DIMENSIONS



## POWER SUPPLY CAPACITY 12V SERIES

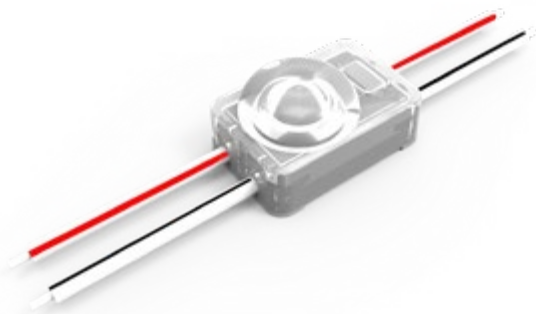
Item	xx1230	xx1260	xx12100	xx12150	VP12240	VP12400
Power Output	30W	60W	100W	150W	240W	400W
BL15 modules / power supply	112	225	375	562	900	1500
<b>Maximum 50 modules per chain</b>						

## PACKAGING

Item	Qty (pcs/bag)	Qty (bag / carton)	Total Qty (pcs / carton)	Total weight (kg)	Carton size (LxWxH) in mm
BL15	500	12	6000	7.2	264 x 376 x 272

# next

## LUCOLED BL16



- *5 years warranty*  
*First 2 years extended warranty*
- *Lucolense Technology*
- *High efficacy: 133lm/W*
- *Constant Current Technology*
- *Narrow white binning*

**Lucoled Plus BL16 modules** offer a high quality and efficient backlit solution for small face lit channel letters with a depth from 20 to 60mm and stroke widths up to 50 mm for a single row.

Lucoled Plus BL16 modules are IP67 and can be used in outdoor applications.

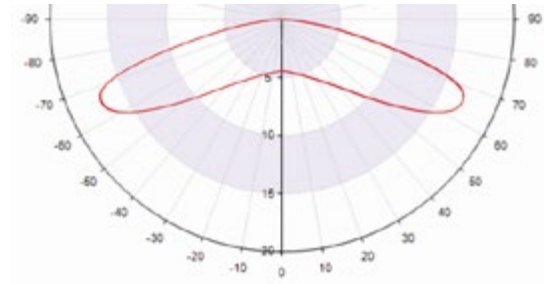
Lucoled Plus BL16 modules are available in several colour temperatures.

## SPECIFICATIONS

- Dimensions 10.3x15.3x7.8mm
- Warranty 5 years (first 2 years extended)
- Beam angle: 160°
- Can be cut between every unit
- UL, CE and RoHS compliant
- Narrow white binning
- Constant Current Technology
- Operating temperature -25~+80C

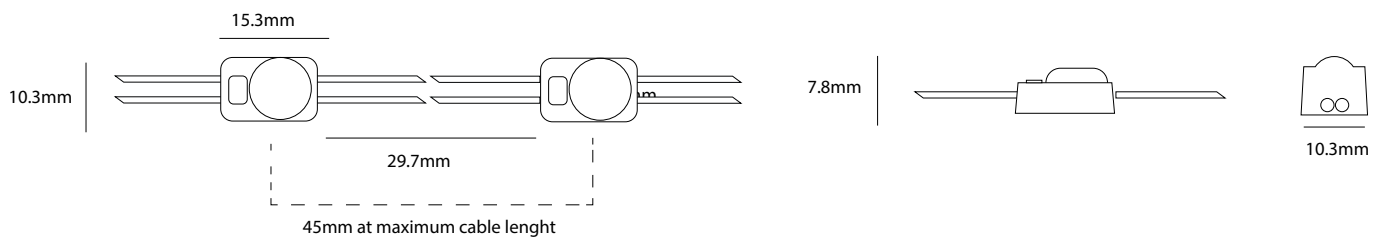


## LUMINOUS INTENSITY DISTRIBUTION



Item no	LED colour	CT (K)	CRI	Power (W/mod)	Flux (lm/mod)	Efficacy (lm/W)	Voltage (DC)	Modules per chain	Modules per carton
BL16-R	red	n.a.	>70	0.30	12	40	12	50	5600

## DIMENSIONS



## POWER SUPPLY CAPACITY 12V SERIES

Item	xx1230	xx1260	xx12100	xx12150	VP12240	VP12400
Power Output	30W	60W	100W	150W	240W	400W
BL16 modules / power supply	90	180	300	450	720	1200
<b>Maximum 50 modules per chain</b>						

## PACKAGING

Item	Qty (pcs/bag)	Qty (bag / carton)	Total Qty (pcs / carton)	Total weight (kg)	Carton size (LxWxH) in mm
BL16	400	14	5600	11.8	530 x 380 x 280

WELCOME TO  
GRAND CENTRAL

## LUCOLED BL17



- *5 years warranty*  
*First 2 years extended warranty*
- *Lucolense Technology*
- *High efficacy: 160 lm/W*
- *Constant Current Technology*
- *Narrow white binning*

**Lucoled Plus BL17 modules** offer a high quality and high efficient backlit solution for small face lit channel letters with a depth from 20 to 60mm and stroke widths up to 50 mm for a single row.

Lucoled Plus BL17 modules are IP67 and can be used in outdoor applications.

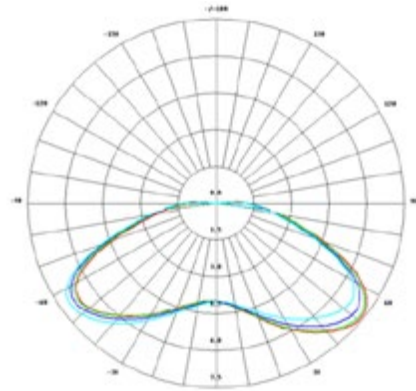
Lucoled Plus BL17 modules are available in several colour temperatures.

## SPECIFICATIONS

- Dimensions 10x16x8.8mm
- Warranty 5 years (first 2 years extended)
- Beam angle: 160°
- Can be cut between every unit
- UL, CE and RoHS compliant
- Narrow white binning
- Constant Current Technology
- Operating temperature -25~+80C

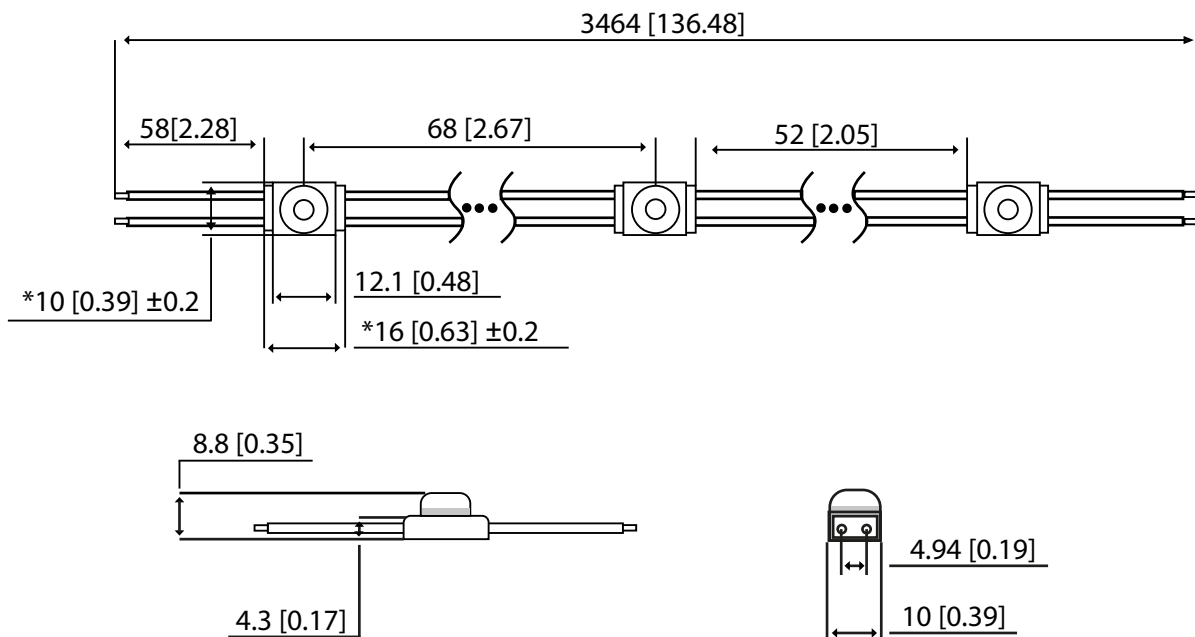


## LUMINOUS INTENSITY DISTRIBUTION



Item no	LED colour	CT (K)	CRI	Power (W/mod)	Flux (lm/mod)	Efficacy (lm/W)	Voltage (DC)	Modules per chain	Modules per carton
BL17-W35	white	3500	>70	0.24	38	160	12	50	5000
BL17-W70	white	7000	>70	0.24	38	160	12	50	5000

## DIMENSIONS



## POWER SUPPLY CAPACITY 12V SERIES

Item	xx1230	xx1260	xx12100	xx12150	VP12240	VP12400
Power Output	30W	60W	100W	150W	240W	400W
BL17 modules / power supply	112	225	375	562	900	1500
<b>Maximum 50 modules per chain</b>						

## PACKAGING

Item	Qty (pcs/bag)	Qty (bag / carton)	Total Qty (pcs / carton)	Total weight (kg)	Carton size (LxWxH) in mm
BL17	500	10	5000	11.2	530 x 380 x 280



## LUCOLED BL20



- *5 years warranty*  
*First 2 years extended warranty*
- *Smallest 2 LED module*
- *Lucolense technology*
- *Narrow white binning*
- *Bend-And-Stay wiring*

**Lucoled Plus BL20** modules offer a high quality and efficient backlit solution for small face lit channel letters with a depth from 20 to 60 mm.

Lucoled Plus BL20 modules are IP67 and are easy to install due to the VHB tape with a peel-off lip and special Bend-And-Stay wiring that keeps its position once bent.

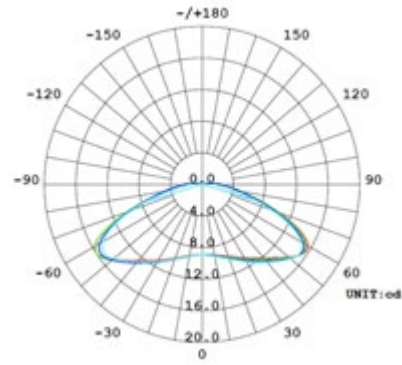
Lucoled Plus BL20 is the best solution for very narrow and small, face lit, channel letters, including 3D printed versions.

## SPECIFICATIONS

- Dimensions 8.5x13.3x7.8mm
- Warranty 5 years (first 2 years extended)
- Beam angle: 155°
- Can be cut between every unit
- UL, CE and RoHS compliant
- Narrow white binning
- Constant Current Technology
- Operating temperature -25~+60C
- 3M VHB tape
- Bend-And-Stay PVC wires

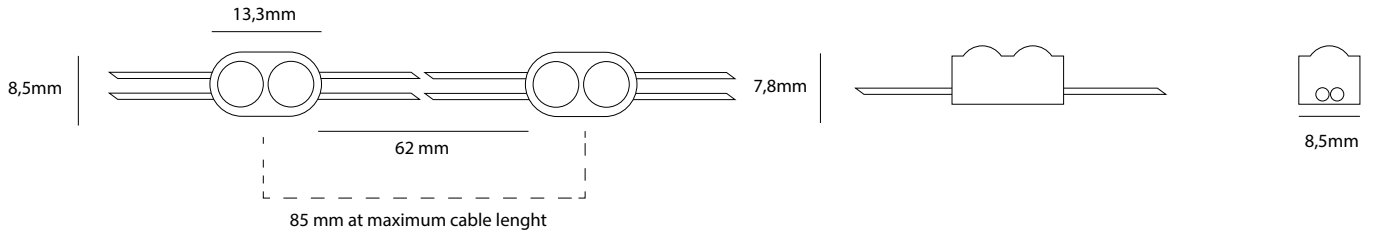


## LUMINOUS INTENSITY DISTRIBUTION



Item no	LED colour	CT (K)	CRI	Power (W/mod)	Flux (lm/mod)	Efficacy (lm/W)	Voltage (DC)	Modules per chain	Modules per carton
BL20-W65	white	6500	>80	0.28	30	107	12	50	6000

## DIMENSIONS

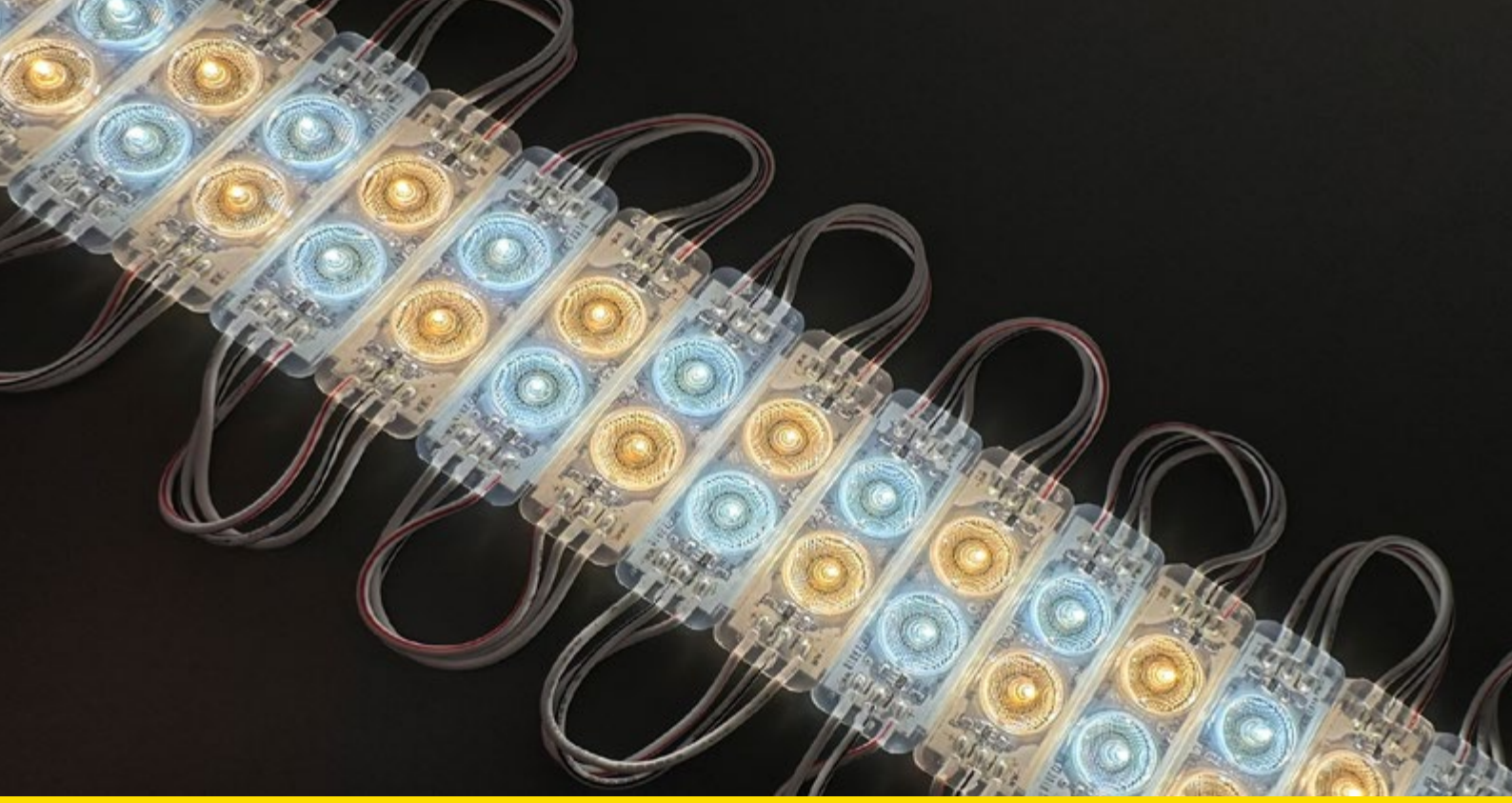


## POWER SUPPLY CAPACITY 12V SERIES

Item	xx1230	xx1260	xx12100	xx12150	VP12240	VP12400
Power Output	30W	60W	100W	150W	240W	400W
BL20 modules / power supply	96	193	321	482	771	1285
<b>Maximum 50 modules per chain</b>						

## PACKAGING

Item	Qty (pcs/bag)	Qty (bag / carton)	Total Qty (pcs / carton)	Total weight (kg)	Carton size (LxWxH) in mm
BL20	500	12	6000	12.5	530 x 380 x 280



## LUCOLED BL28-TW (Tuneable White)



- *5 years warranty*
- *Lucoled Helios lens technology*
- *high efficiency of 150 lumen per Watt*
- *Constant Current Technology*
- *Narrow white binning*
- *24V*
- *Tuneable White*

**Lucoled Innovative BL28 modules** offer a high quality and efficient backlit solution for channel letters and lightboxes from 40 mm to 120 mm depth.

Lucoled BL28 uses high efficiency LED's and optics and are designed for applications where the colour temperature of the white needs to be optimised against the face colour to create the best match with the corporate image specifications.

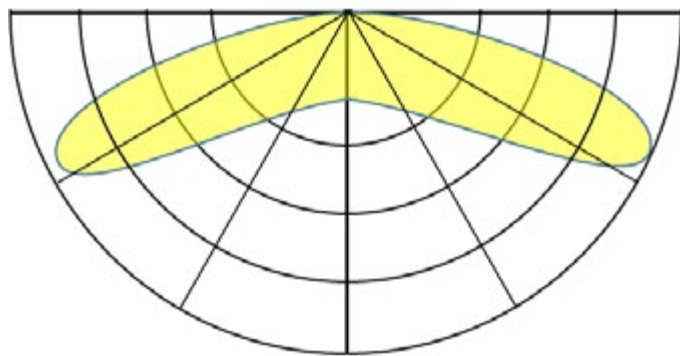
The tuneable white option, combined with Lucoled's control range, also makes tuneable white dimming possible, where during nighttime a more environmentally friendly warm white colour at a lower brightness can be set.

## SPECIFICATIONS

- Dimensions 58x19x6.2mm
- Warranty 5 years
- Beam angle: 170°
- Can be cut between every unit
- CE, UL and RoHS compliant
- Narrow white binning
- Constant Current Technology
- Operating temperature -20°C~+45°C

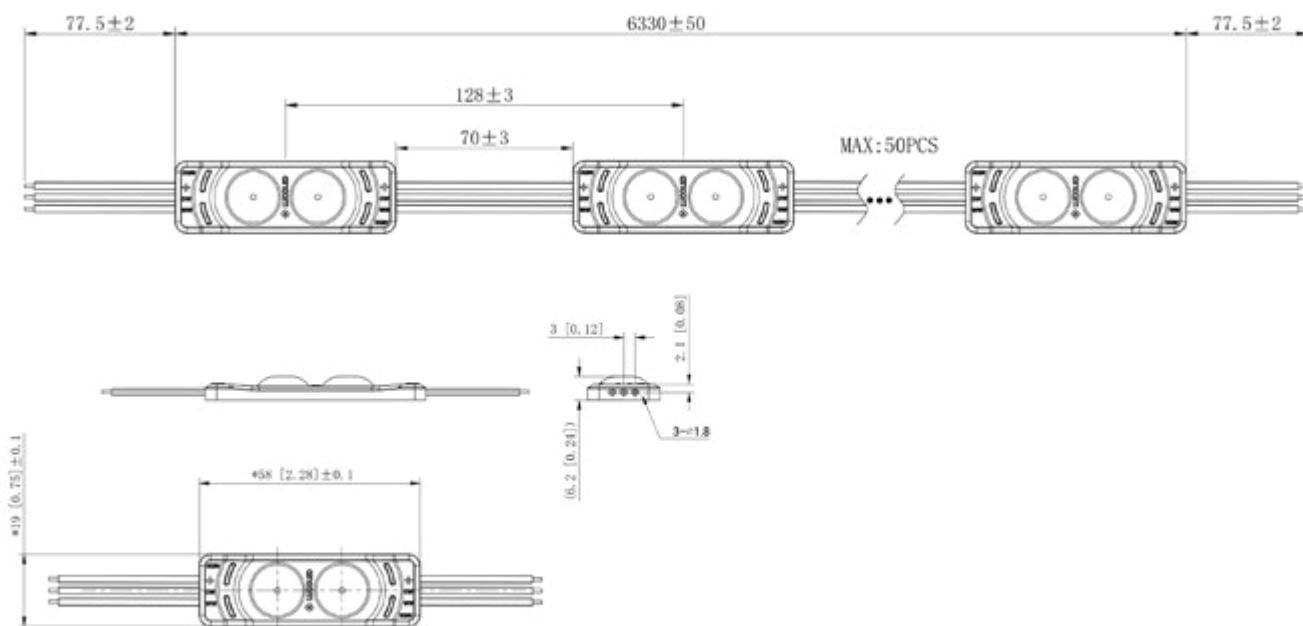


## LUMINOUS INTENSITY DISTRIBUTION



Item no	LED colour	CT (K)	CRI	Power (W/mod)	Flux (lm/mod)	Efficacy (lm/W)	Voltage (DC)	Modules per chain	Modules per carton
BL28-TW	white	2700 & 6500 both full on	>80	1.18	178	150	24	50	2000
	white	2700 only	>80	0.59	85	157			
	white	6500 only	>80	0.59	94	145			

## DIMENSIONS



## POWER SUPPLY CAPACITY 24V SERIES

Item	xx2430	xx2460	xx24100	xx24150	VP24240	VP24400
Power Output	30W	60W	100W	150W	240W	400W
BL28 modules per power supply	23	46	76	114	183	305
<b>Maximum 50 modules per chain</b>						

## PACKAGING

Item	Qty (pcs/bag)	Qty (bag / carton)	Total Qty (pcs / carton)	Total weight (kg)	Carton size (LxWxH) in mm
BL28	50	40	2000	14.25	528 x 376 x 272



# LUCOLED BL31



- *5 years warranty*
- *First 2 years extended warranty*
- *Lucolense wide beam technology*
- *High efficacy*
- *Constant Current Technology*
- *Narrow white binning*

**Lucoled Plus BL31 modules** offer a high quality and efficient backlit solution for lightboxes with a depth of 100-300 mm.

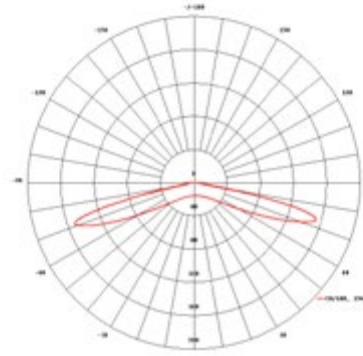
Using the latest Top-Tier LED technology and high quality patented optics Lucoled Plus BL31 offers industry leading efficacy and coverage. This not only reduces the amount of modules needed for an application, but also the overall power consumption.

In a typical application of 125 mm deep only 9 modules per square meter are used at maximum wire spacing, making installation very fast and less labour intensive. Using only 32,4 W per square meter also the number of power supplies needed is strongly reduced.

## SPECIFICATIONS

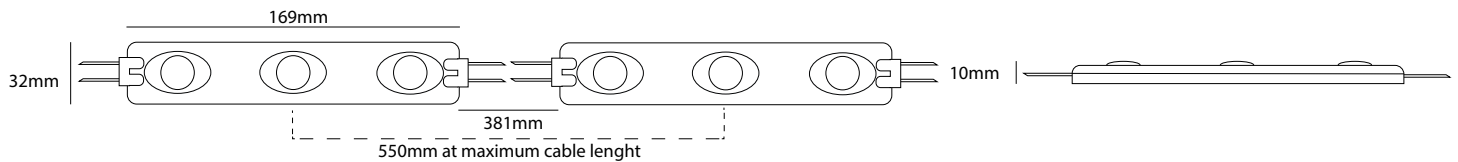
- Dimensions 169x32x10mm
- Warranty 5 years (first 2 years extended)
- Beam angle: 170°
- Can be cut between every unit
- UL, CE and RoHS compliant
- Narrow white binning
- Constant Current Technology
- Operating temperature -25~+60C

## LUMINOUS INTENSITY DISTRIBUTION



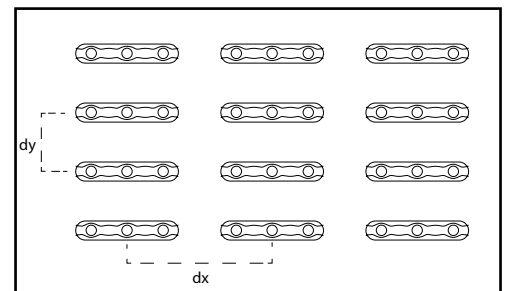
Item no	LED colour	CT (K)	CRI	Power (W/mod)	Flux (lm/mod)	Efficacy (lm/W)	Voltage (DC)	Modules per chain	Modules per carton
BL31-W30	white	3000	>70	3.6	350	97	12	16	320
BL31-W65	white	6500	>70	3.6	350	97	12	16	320

## DIMENSIONS



Light box depth (mm)	Space between modules (mm)	Installing density (pcs/m <sup>2</sup> )	Lumen per m <sup>2</sup> (Lm) based on 6500K
dz=100	dx=300, dy=250	13	4550
dz=150	dx=300, dy=500	7	2450
dz=200	dx=300, dy=700	5	1750

Results may vary depending on face material properties. The data above was obtained using 3mm thick opaque acrylic with a 54% light transmittance. Lucoled advises to paint the inside of the box/letters in a matt white colour for achieving an optimal result. Always test before production.



## POWER SUPPLY CAPACITY 12V SERIES

Item	xx1230	xx1260	xx12100	xx12150	VP12240	VP12400
Power Output	30W	60W	100W	150W	240W	400W
BL31 modules / power supply	7	14	24	36	60	100
<b>Maximum 16 modules per chain</b>						

## PACKAGING

Item	Qty (pcs/bag)	Qty (bag / carton)	Total Qty (pcs / carton)	Total weight (kg)	Carton size (LxWxH) in mm
BL31	32	10	320	20.1	528 x 376 x 272



## LUCOLED BL36-RGBW



- *5 years warranty*
- *Lucolense wide beam technology*
- *RGBW True white technology*

**Lucoled Plus BL36-RGBW modules** offer a high quality backlit solution for colour changing or custom colour channel letters and lightboxes with a depth of 80 – 250 mm.

Using the latest 4-in-1 package RGBW technology the modules can create a true white, as it contains a separate white LED. By adding white to the RGB mix it is possible to accurately match any colour desired and make pastel and lighter colours more vibrant. The special optics provide optimal mixing of the individual colours and make it possible to use the modules in shallow applications.

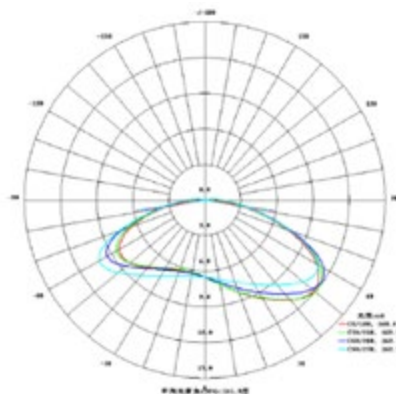
Lucoled Plus BL36-RGBW can be controlled by all available control systems in the market, offering maximum flexibility for your projects.

## SPECIFICATIONS

- Dimensions 78x178x11mm
- Warranty 5 years
- Beam angle: 160°
- Can be cut between every unit
- UL, CE and RoHS compliant
- Constant Current Technology
- Operating temperature -25°~+60°C
- R = 625 nm, G = 525 nm, B = 470 nm
- W = 6500K

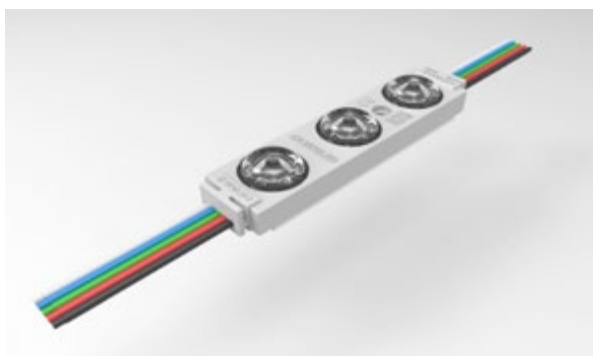
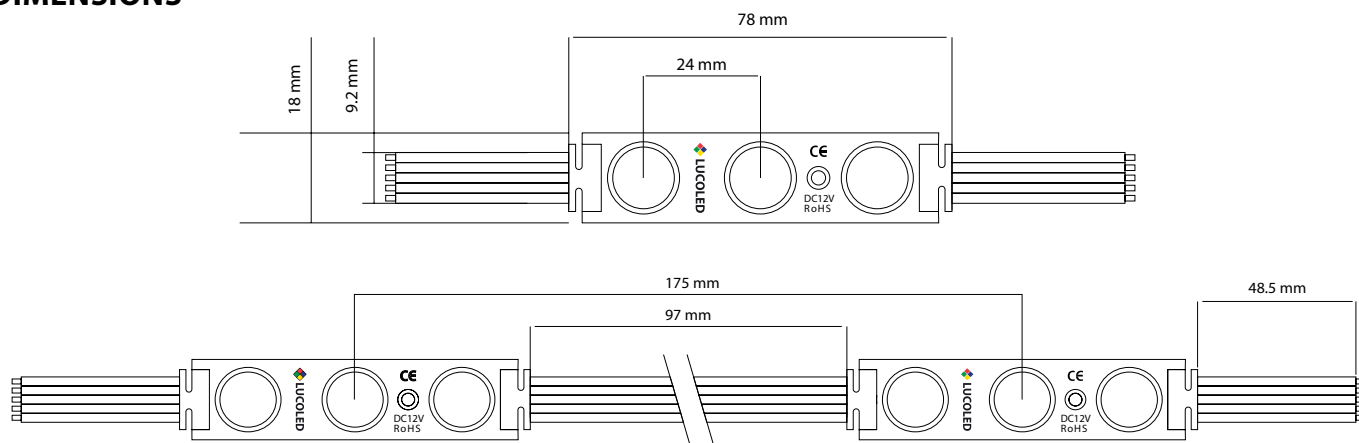


## LUMINOUS INTENSITY DISTRIBUTION



Item no	LED colour	CT (K)	CRI	Power (W/mod)	Flux (lm/mod)	Voltage (DC)	Modules per chain	Modules per carton
BL36-RGBW	RGBW	RGBW (W=6500)	>75	1.02 (RGBW on)	R8 G16 B4 W26	12	20	640

## DIMENSIONS



## POWER SUPPLY CAPACITY 12V SERIES

Item	xx1230	xx1260	xx12100	xx12150	VP12240	VP12400
Power Output	30W	60W	100W	150W	240W	400W
BL36 modules / power supply (RGBW all on)	27	54	90	135	212	352
<b>Maximum 20 modules per chain</b>						

## PACKAGING

Item	Qty (pcs/bag)	Qty (bag / carton)	Total Qty (pcs / carton)	Total weight (kg)	Carton size (LxWxH) in mm
BL36-RGBW	40	16	640	16.1	528x 378 x 272



## LUCOLED BL60-TW



- *5 years warranty*
- *Lucolense prismatic angle technology*
- *high efficiency of 140 lumen per Watt*
- *Constant Current Technology*
- *Narrow white binning*
- *24V*
- *Tunable White*

**Lucoled Value Range BL60 modules** offer a high quality and efficient backlit solution for lightboxes and stretched ceilings.

Lucoled BL60 uses high efficiency LED's and optics and are designed for illuminating large surfaces, like stretched ceilings.

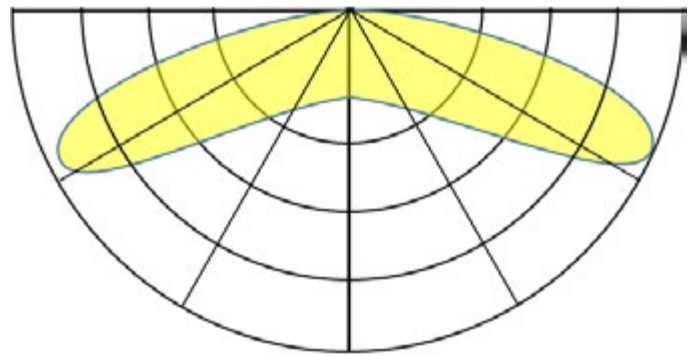
The tuneable white option, combined with Lucoled's control range, make human centric lighting possible. The colour of the illumination can be adapted to the desired mood and time-of-day.

## SPECIFICATIONS

- Dimensions 181x27.5x9mm
- Warranty 5 years
- Beam angle: 170°
- Can be cut between every unit
- CE and RoHS compliant
- Narrow white binning
- Constant Current Technology
- Operating temperature -20°C~+45°C

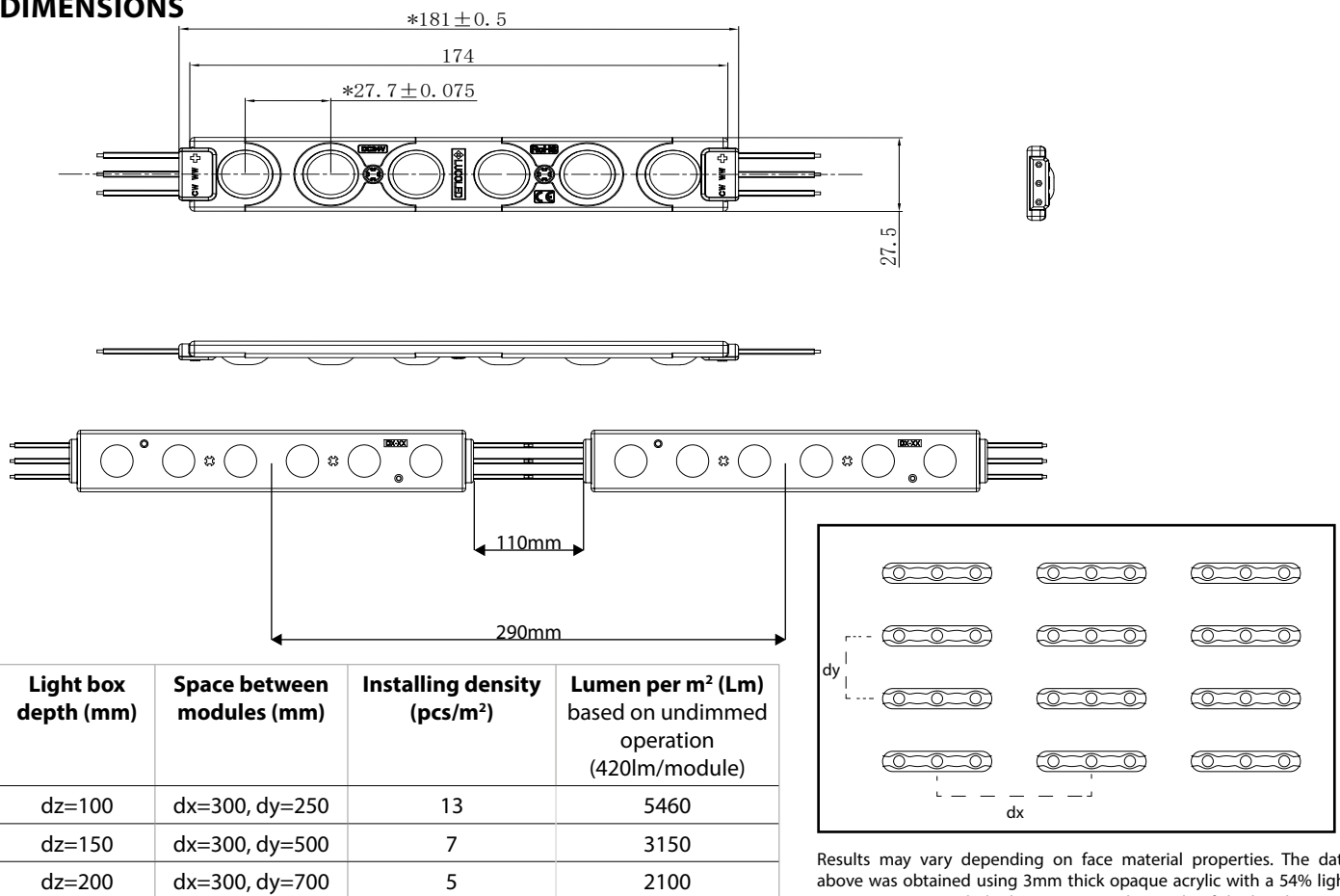


## LUMINOUS INTENSITY DISTRIBUTION



Item no	LED colour	CT (K)	CRI	Power (W/mod)	Flux (lm/mod)	Efficacy (lm/W)	Voltage (DC)	Modules per chain	Modules per carton
BL60-TW	white	2700 & 6500 both full on	>80	3.0	420	140	24	25	350
BL60-TW	white	2700 only	>80	1.5	203	135	24	25	350
BL60-TW	white	6500 only	>80	1.5	218	145	24	25	350

## DIMENSIONS



Results may vary depending on face material properties. The data above was obtained using 3mm thick opaque acrylic with a 54% light transmittance. Lucoled advises to paint the inside of the box/letters in a matt white colour for achieving an optimal result. Always test before production.

## POWER SUPPLY CAPACITY 24V SERIES

Item	xx2430	xx2460	xx24100	xx24150	VP24240	VP24400
Power Output	30W	60W	100W	150W	240W	400W
BL60 modules per power supply	9	18	30	45	72	120
<b>Maximum 25 modules per chain</b>						

## PACKAGING

Item	Qty (pcs/bag)	Qty (bag / carton)	Total Qty (pcs / carton)	Total weight (kg)	Carton size (LxWxH) in mm
BL60	25	25	350	24.6	528 x 376 x 272



## LUCOLED BL72



- *5 years warranty*  
*First 2 years extended warranty*
- *Lucolense wide beam technology*
- *High efficacy*
- *Constant Current Technology*
- *Narrow white binning*

**Lucoled Plus BL72 modules** offer a high quality and efficient backlit solution for lightboxes with a depth of 120-300 mm.

Using the latest Top-Tier LED technology and high quality patented optics Lucoled Plus BL72 offers industry leading efficacy and coverage. This not only reduces the amount of modules needed for an application, but also the overall power consumption.

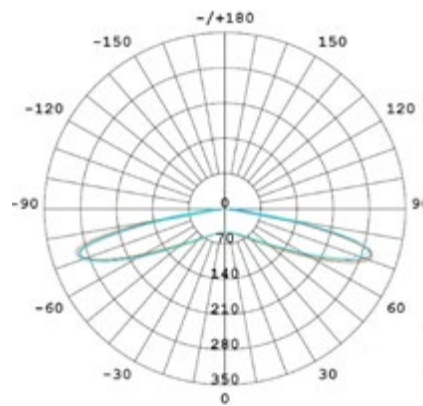
In a typical application of 160 mm deep only 4 modules per square meter are used at maximum wire spacing, making installation very fast and less labour-intensive. By using only 28 W per square meter the number of power supplies needed is also strongly reduced.

## SPECIFICATIONS

- Dimensions 100x90x10mm
- Warranty 5 years (first 2 years extended)
- Beam angle: 160°
- Can be cut between every unit
- UL, CE and RoHS compliant
- Narrow white binning
- Constant Current Technology
- Operating temperature -25~+60C

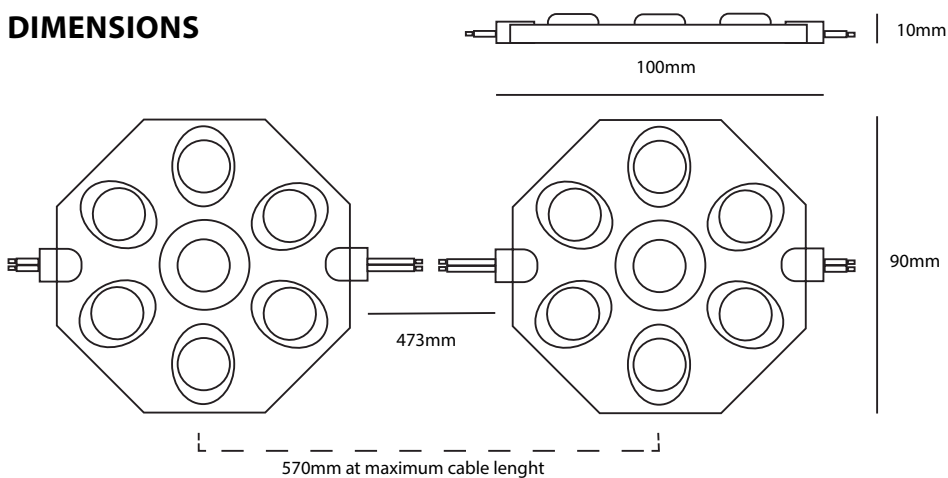


## LUMINOUS INTENSITY DISTRIBUTION

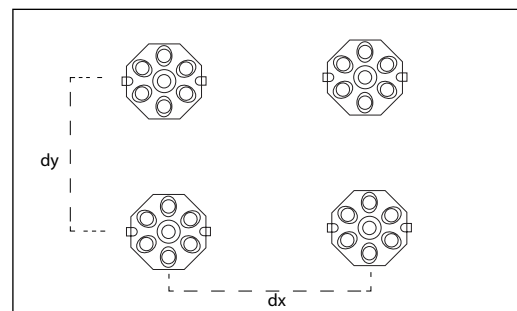


Item no	LED colour	CT (K)	CRI	Power (W/mod)	Flux (lm/mod)	Efficacy (lm/W)	Voltage (DC)	Modules per chain	Modules per carton
BL72-W65	white	6500	>70	7.0	1035	148	24	10	80

## DIMENSIONS



Light box depth (mm)	Space between modules (mm)	Installing density (pcs/m <sup>2</sup> )	Lumen per m <sup>2</sup> (Lm) based on 6500K
dz=120	dx=300, dy=300	9	9315
dz=150	dx=450, dy=400	6	6210
dz=180	dx=500, dy=500	4	4140
dz=180	dx=450, dy=400	6	6210
dz=180	dx=300, dy=300	9	9315
dz=250	dx=500, dy=500	4	4140



Results may vary depending on face material properties. The data above was obtained using 3mm thick opaque acrylic with a 54% light transmittance. Lucoled advises to paint the inside of the box/letters in a matt white colour for achieving an optimal result. Always test before production.

## POWER SUPPLY CAPACITY 24V SERIES

Item	xx2430	xx2460	xx24100	xx24150	VP24240	VP24400
Power Output	30W	60W	100W	150W	240W	400W
BL72 modules / power supply	3	7	13	19	30	50
<b>Maximum 10 modules per chain</b>						

## PACKAGING

Item	Qty (pcs/bag)	Qty (bags / carton)	Total Qty (pcs / carton)	Total weight (kg)	Carton size (LxWxH) in mm
BL72	10	8	80	15.3	350 x 260 x 250



## LUCOLED BLI



- *5 years warranty*
- *Lucolense prismatic flat beam technology*
- *High efficacy*
- *Constant Current Technology*
- *Narrow white binning*

**Lucoled BLI LED bars** offer a high quality and efficient backlit solution for very shallow lightboxes down to 30 mm deep.

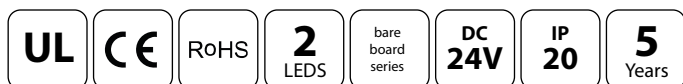
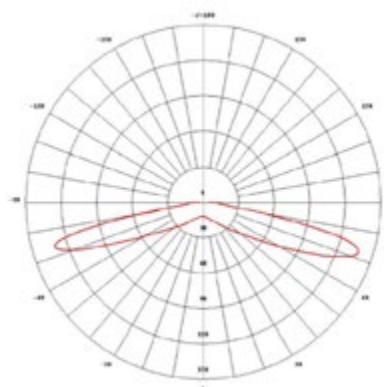
The BLI series comes in 3 lengths, each simply cuttable to fit your lightbox. The whole system is equipped with connectors and comes with a pre wired connection system, making it a plug-and-play installation.

The BLI series uses the latest reimagined flat beam prism lens technology, reducing the number of LED's required for an even illumination and thus also reducing required power per square meter to only 57 W/m<sup>2</sup>. This while offering 6.798 lumen per square meter, 120 lm/W efficiency, giving a bright and efficient result at reduced total cost of ownership.

## SPECIFICATIONS

- 2835 SMD LED with long life and low attenuation
- Easy installation with connectors and prewired cable harness, plug and play.
- Warranty 5 years
- Beam angle: 170°
- Cuttable every 2 LEDs
- UL, CE and RoHS compliant
- Narrow white binning
- Constant Current Technology
- Operating temperature -25~+60C

## LUMINOUS INTENSITY DISTRIBUTION



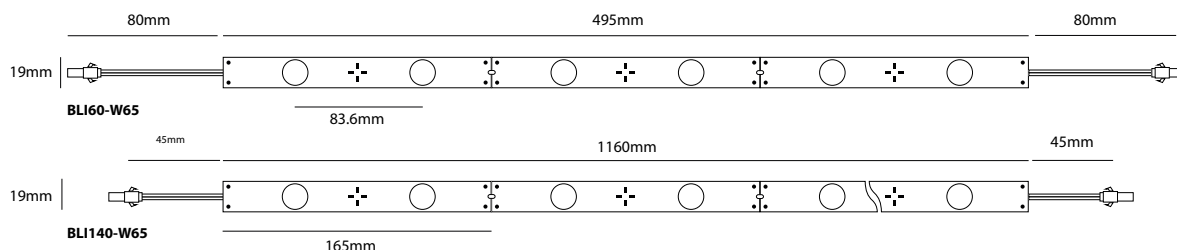
Item no	LED colour	CT (K)	CRI	Power (W/mod)	Flux (lm/mod)	Efficacy (lm/W)	Voltage (DC)	Modules in series	Modules per BLI-CON	Modules per carton
BLI20-W65	white	6500	>70	0.86	101	118	24	24	180	200
BLI20-W40	white	4000	>70	0.86	101	118	24	24	180	200
BLI20-W30	white	3000	>70	0.86	101	118	24	24	180	200
BLI60-W65	white	6500	>70	2.6	312	120	24	8	60	180
BLI60-W40	white	4000	>70	2.6	312	120	24	8	60	180
BLI60-W30	white	3000	>70	2.6	312	120	24	8	60	180
BLI140-W65	white	6500	>70	6	720	120	24	4	30	300

## ACCESSORIES

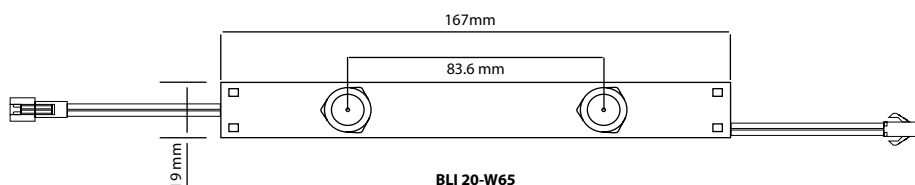
Item no	Description
BLI-CON	BLI cable assembly, 1.5m, 12 connections, every 10cm.
BLI-FCON	BLI power flying leads with female connector
BLI-MCON	BLI power flying leads with male connector
BLI-JCT-300	BLI junction cable male-female 300mm



## DIMENSIONS



Light box depth (mm)	row distance (mm)
30 - 60mm	80mm
60 - 80mm	90mm
80 - 100mm	100mm



## POWER SUPPLY CAPACITY 24V SERIES

Item	xx2430	xx2460	xx24100	xx24150	VP24240	VP24400
Power Output	30W	60W	100W	150W	240W	400W
BLI 20 modules / power supply	30	60	104	156	251	418
BLI 60 modules / power supply	10	20	34	52	83	138
BLI140 modules / power supply	4	9	15	22	36	60

## PACKAGING

Item	Qty (pcs/bag)	Qty (bags / carton)	Total Qty (pcs / carton)	Total weight (kg)	Carton size (LxWxH) in mm
BLI20-W65	10	20	200	4.2	358x256x244
BLI60-W65	9	20	180	9.2	570x340x250
BLI140-W65	10	30	300	30.0	1220x340x250
BLI-CON	30	1	30	5	400x300x150



## LUCOLED BLE



- *IP67 for outdoor use*
- *Silicone potted PCB in aluminium profile*
- *5 years warranty. 2 years extended*
- *Lucolense prismatic flat beam technology*
- *IP67 JST connectors and cable system*
- *RVS mounting clips*
- *High efficacy*
- *Constant Current Technology*
- *Fast, plug-and-play, installation*
- *Fast on-site retrofit solution*

**Lucoled BLE LED bars** offer a high quality and efficient backlit solution for outdoor lightboxes down to 40 mm deep.

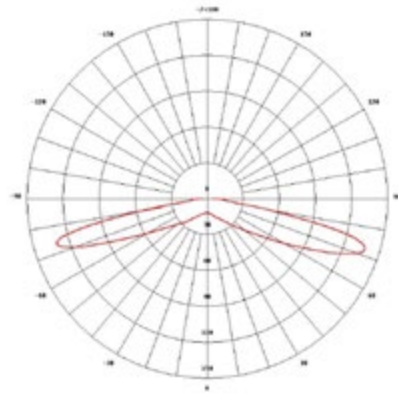
The BLE series comes in 2 lengths. The whole system is equipped with IP67 JST connectors and comes with a range of plug-and-play cable options for easy and fast installation. Especially in retrofit applications replacing traditional light sources.

## SPECIFICATIONS

- 2835 SMD LED with long life and low attenuation
- Easy installation with JST connectors and cable system, plug and play.
- Installs in RVS mounting clips. (included)
- Warranty 5 years
- Beam angle: 170°
- UL, CE and RoHS compliant
- Narrow white binning
- Constant Current Technology
- Operating temperature -25~+60C



## LUMINOUS INTENSITY DISTRIBUTION

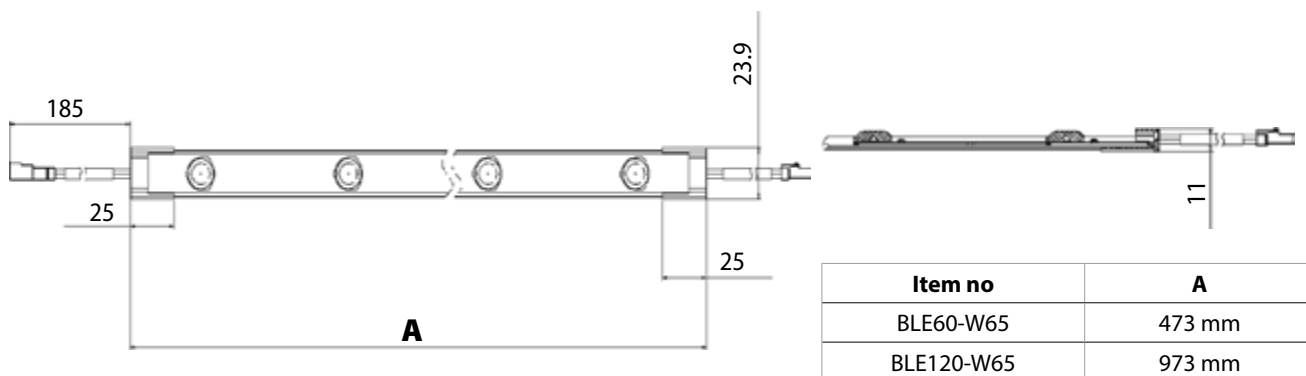


Item no	LED colour	CT (K)	CRI	Power (W/mod)	Flux (lm/mod)	Efficacy (lm/W)	Voltage (DC)	Modules in series	Modules per carton
BLE60-W65	white	6500	>70	3.1	372	120	24	max 8	80
BLE120-W65	white	6500	>70	6.5	756	120	24	max 4	128

## ACCESSORIES

Item no	Description	Item no	Description	Item no	Description
L-CAB-M-500	Connection Cable Male	L-CAB-1.0	1 m extension cable	L-CON-BNK-M	Blanking Connector Male
L-CAB-F-500	Connection Cable Female	L-CAB-3.0	3 m extension cable	L-CON-BNK-F	Blanking Connector Female
L-CON-Y-FFM	Y-Connector, 1 male and 2 female connectors	L-CAB-5.0	5 m extension cable		

## DIMENSIONS



Light box depth (mm)	row distance (mm)
40 - 60mm	80mm
60 - 80mm	90mm
80 - 100mm	>100mm

Results may vary depending on face material properties. The data above was obtained using 3mm thick opaque acrylic with a 54% light transmittance. Lucoled advises to paint the inside of the box/letters in a matt white colour for achieving an optimal result. Always test before production.

## POWER SUPPLY CAPACITY 24V SERIES

Item	xx2430	xx2460	xx24100	xx24150	VP24240	VP24400
Power Output	30W	60W	100W	150W	240W	400W
BLE 60 modules / power supply	10	20	34	52	69	116
BLE120 modules / power supply	4	9	15	22	33	55

## PACKAGING

Item	Qty (pcs/bag)	Qty (bags / carton)	Total Qty (pcs / carton)	Total weight (kg)	Carton size (LxWxH) in mm
BLE60-W65	16	8	128	15.8	570x264x280
BLE120-W65	16	5	80	18.4	1070x264x216



## LUCOLED DS80/OS80



- *5 years warranty*
- *Lucolense prismatic flat beam technology*
- *High efficacy*
- *Constant Current Technology*
- *Narrow white binning*
- *Easy installation*

**Lucoled DS80** offers a high quality and efficient back lighting solution for double sided lightboxes and pylons.

**Lucoled OS80** offers a high quality and efficient back lighting solution for single sided lightboxes and pylons.

The DS80 and OS80 are installed in an aluminium mounting profile that is mounted into the sign by easy to install mounting clips. The mounting profile can be cut to size and comes in 3 standard lengths.

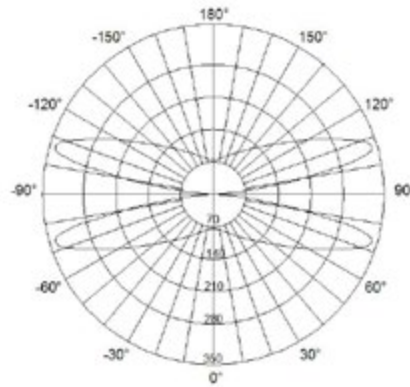
The DS80 and OS80 have an industry leading efficiency of 165 lumen per Watt. In a typical pylon they can be installed with 400 mm row and module spacing due to the use of flat beam prism lenses. This reduces the energy consumption to less than 22 Watt per square meter per side. Still offering almost 3.600 lumen per square meter per side.

## SPECIFICATIONS

- Dimensions 155x38x11 mm
- Warranty 5 years
- Beam angle: 170°
- Can be cut between every unit
- UL, CE and RoHS compliant
- Narrow white binning
- Constant Current Technology
- Operating temperature -25~+60C
- Easy installation using aluminium profiles and clips



## LUMINOUS INTENSITY DISTRIBUTION

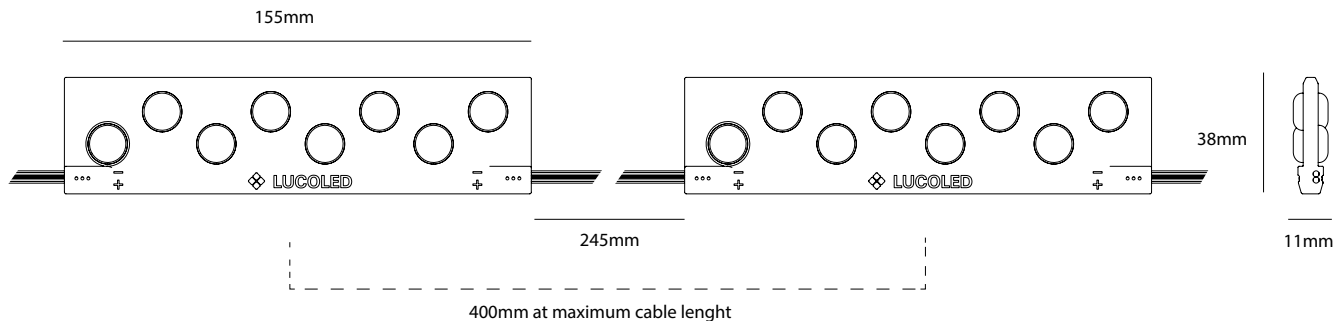


Item no	LED colour	CT (K)	CRI	Power (W/mod)	Flux (lm/mod)	Efficacy (lm/W)	Voltage (DC)	Modules in series	Modules per carton
DS80-W65	white	6500	>70	4.8	792	165	24	20	400
OS80-W65	white	6500	>70	2.4	396	165	24	40	400

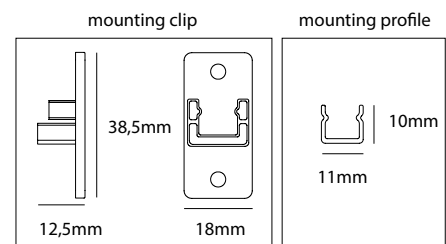
## ACCESSORIES

Item no	Description
DS-MC	DS mounting clip, bag of 10
DS-MP-100	DS mounting profile, 1m, bag of 10
DS-MP-200	DS mounting profile, 2m, bag of 10
DS-MP-300	DS mounting profile, 3m, bag of 10

## DIMENSIONS



Distance to face (mm)	Space between modules (mm)	Space between rows (mm)
50	300	250
100	400	400
150	350	450
200	300	450



## POWER SUPPLY CAPACITY 24V SERIES

Item	xx2460	xx24100	xx24150	VP24240	VP24400
Power Output	60W	100W	150W	240W	400W
DS80 modules / power supply (Max 20 per chain)	12	18	28	45	75
OS80 modules / power supply (Max 40 per chain)	24	36	56	90	150

## PACKAGING



## LUCOLED EL10



- *5 years warranty*  
*First 2 years extended warranty*
- *Lucolense narrow beam technology*
- *High efficacy*
- *Constant Current Technology*
- *Narrow white binning*

**Lucoled Edge Lighting EL10 modules** offer a high quality and efficient solution for single-sided signs with a depth of 80-150 mm and double-sided signs with a depth of 80-150 mm, max. 1000 mm wide.

Lucoled EL10 uses patented light reflection technology to evenly illuminate single and double-sided small light boxes and signs. The licensed technology is based on the face being illuminated by over 70% indirect, internally reflecting, light transmitted by narrow beam flare lenses. The modules are mounted on the sides of the box, directing a beam of light at the opposite side. The reflecting light evenly illuminates the face.

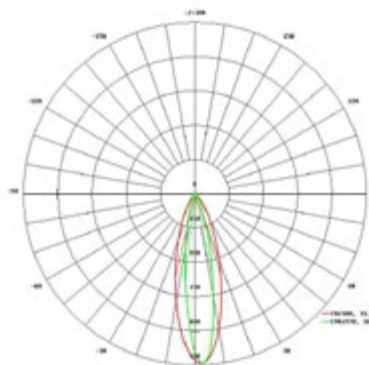
EL10 is ideal for round, oval or any other non-rectangular shaped sign as the individual modules can be positioned following the shape of the sides.

## SPECIFICATIONS

- Dimensions 50x30x14mm
- Warranty 5 years (first 2 years extended)
- Beam angle: 19° \* 32°
- Can be cut between every unit
- UL, CE and RoHS compliant
- Narrow white binning
- Constant Current Technology
- Operating temperature -25~+60C

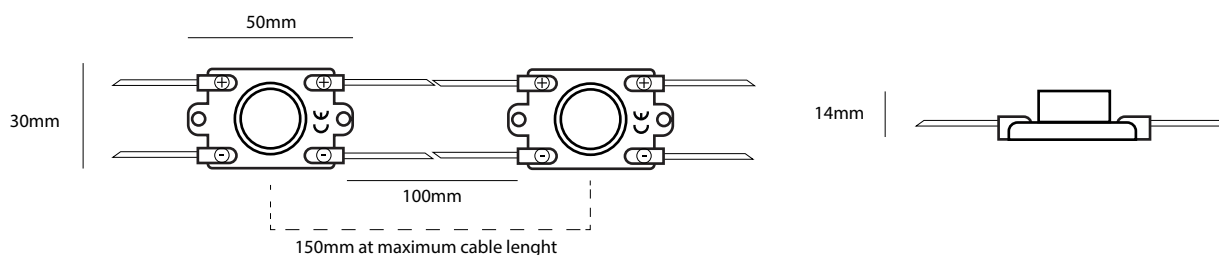


## LUMINOUS INTENSITY DISTRIBUTION



Item no	LED colour	CT (K)	CRI	Power (W/mod)	Flux (lm/mod)	Efficacy (lm/W)	Voltage (DC)	Modules per chain	Modules per carton
EL10-W30	white	3000	>70	1.6	160	100	12	25	600
EL10-W65	white	6500	>70	1.6	160	100	12	25	600

## DIMENSIONS

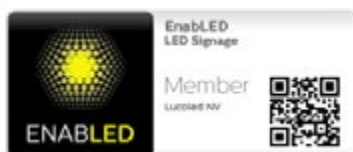


## POWER SUPPLY CAPACITY 12V SERIES

Item	xx1230	xx1260	xx12100	xx12150	VP12240	VP12400
Power Output	30W	60W	100W	150W	240W	400W
EL10 modules / power supply	16	33	56	84	135	225
<b>Maximum 25 modules per chain</b>						

## PACKAGING

Item	Qty (pcs/bag)	Qty (bag / carton)	Total Qty (pcs / carton)	Total weight (kg)	Carton size (LxWxH) in mm
EL10	50	12	600	10,5	528 x 376 x 272



This product is licensed under the Signify (formerly Philips) EnabledLED Signage program when bought as a kit including power supply. The final product in which this kit is used will be covered by this license and free from further royalties.



## LUCOLED EL31



- *5 years warranty*  
*First 2 years extended warranty*
- *Lucolense narrow beam technology*
- *High efficacy*
- *Constant Current Technology*
- *Narrow white binning*

**Lucoled Edge Lighting EL31 modules** offer a high quality and efficient solution for single-sided lightboxes with a depth of 50-100 mm and double-sided lightboxes with a depth of 100-150 mm, max. 1000 mm wide.

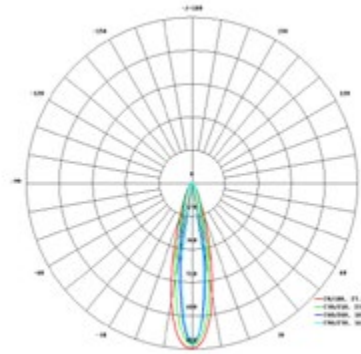
Lucoled EL31 uses patented light reflection technology to evenly illuminate single and double-sided medium size light boxes and signs. The licensed technology is based on the face being illuminated by over 70% indirect, internally reflecting, light transmitted by narrow beam flare lenses. The modules are mounted on the sides of the box, directing a beam of light at the opposite side. The reflecting light evenly illuminates the face.

EL31 is ideal for medium size rectangular shaped signs. The individual modules are normally positioned on opposite sides on the longest side of the sign.

## SPECIFICATIONS

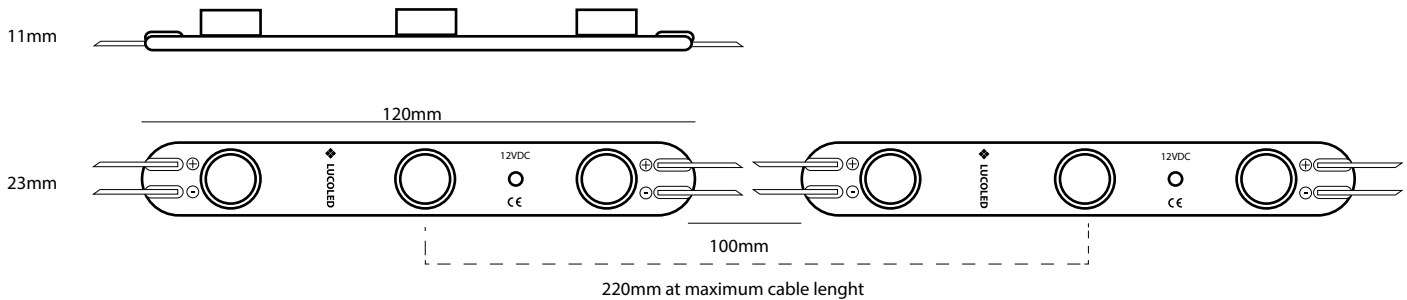
- Dimensions 120x23x11mm
- Warranty 5 years (first 2 years extended)
- Beam angle: 18° \* 25°
- Can be cut between every unit
- UL, CE and RoHS compliant
- Narrow white binning
- Constant Current Technology
- Operating temperature -25~+60C

## LUMINOUS INTENSITY DISTRIBUTION



Item no	LED colour	CT (K)	CRI	Power (W/mod)	Flux (lm/mod)	Efficacy (lm/W)	Voltage (DC)	Modules per chain	Models per carton
EL31-W30	white	3000	>70	2.88	327	114	12	20	480
EL31-W40	white	4000	>70	2.88	327	114	12	20	480
EL31-W65	white	6500	>70	2.88	327	114	12	20	480

## DIMENSIONS



## POWER SUPPLY CAPACITY 12V SERIES

Item	xx1230	xx1260	xx12100	xx12150	VP12240	VP12400
Power Output	30W	60W	100W	150W	240W	400W
EL31 modules / power supply	9	18	31	46	75	125
<b>Maximum 20 modules per chain</b>						

## PACKAGING

Item	Qty (pcs/bag)	Qty (bag / carton)	Total Qty (pcs / carton)	Total weight (kg)	Carton size (LxWxH) in mm
EL31	60	8	480	14,7	528 x 376 x 272



This product is licensed under the Signify (formerly Philips) EnabLED Signage program when bought as a kit including power supply. The final product in which this kit is used will be covered by this license and free from further royalties.



## LUCOLED EL37



- *5 years warranty*
- *Lucolense narrow beam technology*
- *High efficacy*
- *Constant Current Technology*
- *Narrow white binning*
- *For illuminating 3m wide lightboxes*

**Lucoled Edge Lighting EL37 modules** offer a high quality and efficient solution for single-sided lightboxes with a depth of 100-120 mm and double-sided lightboxes with a depth of 100 -180 mm, max. 3000 mm wide.

Lucoled EL37 has a unique jigsaw connection system allowing the modules to be connected in such a way that a uniform LED spacing is achieved.

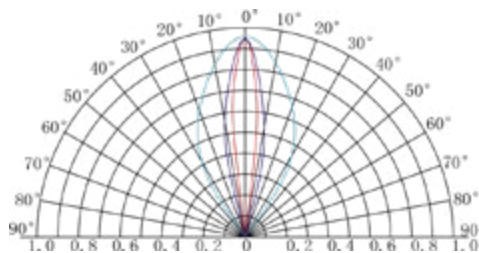
Lucoled EL37 uses patented light reflection technology to evenly illuminate single and double-sided large format light boxes. The licensed technology is based on the face being illuminated by over 70% indirect, internally reflecting, light transmitted by narrow beam flare lenses. The modules are mounted on the sides of the box, directing a beam of light at the opposite side.

EL37 is ideal for large size rectangular shaped signs. The individual modules are normally positioned on opposite sides on the longest side of the sign.

## SPECIFICATIONS

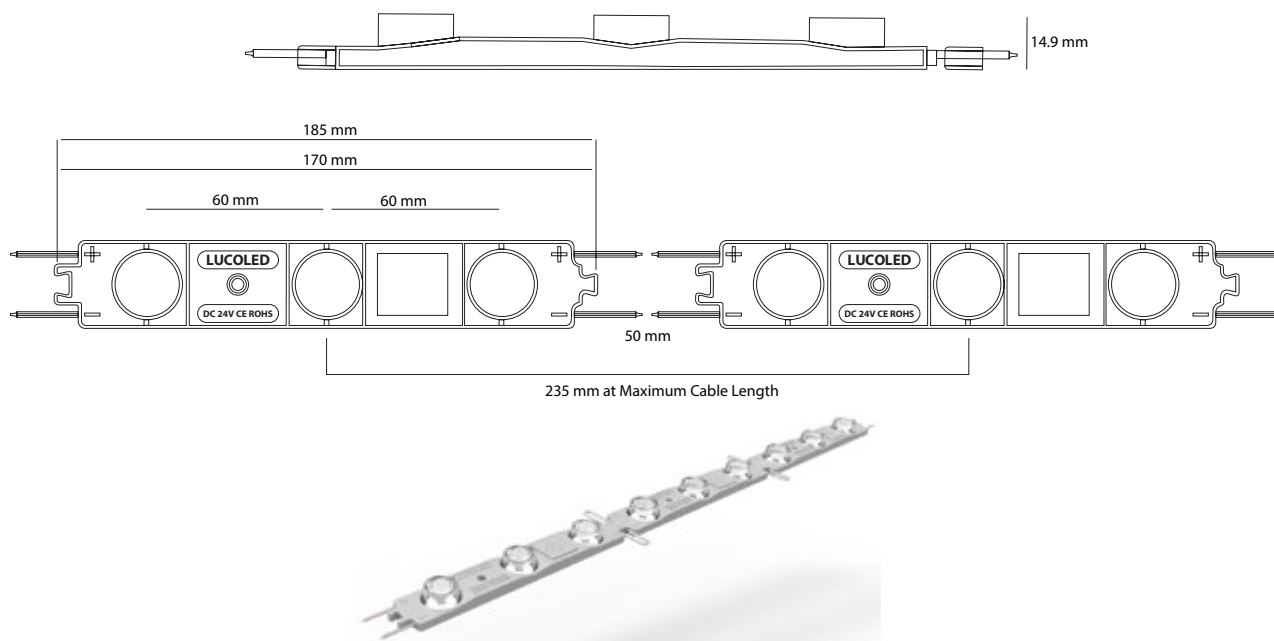
- Dimensions 185x30x15mm
- Warranty 5 years
- Beam angle: 10° \* 40°
- Can be cut between every unit
- UL, CE and RoHS compliant
- Narrow white binning
- Constant Current Technology
- Operating temperature -25~+60C

## LUMINOUS INTENSITY DISTRIBUTION



Item no	LED colour	CT (K)	CRI	Power (W/mod)	Flux (lm/mod)	Efficacy (lm/W)	Voltage (DC)	Modules per chain	Modules per carton
EL37-W65	white	6500	>75	5.9	740	125	24	20	360
EL37-W40	white	4000	>75	5.9	740	125	24	20	360

## DIMENSIONS

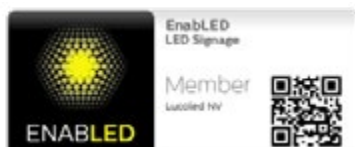


## POWER SUPPLY CAPACITY 24V SERIES

Item	xx2430	xx2460	xx24100	xx24150	VP24240	VP24400
Power Output	30W	60W	100W	150W	240W	400W
EL37 modules / power supply	4	9	15	22	36	60
<b>Maximum 20 modules per chain</b>						

## PACKAGING

Item	Qty (pcs/bag)	Qty (bags / carton)	Total Qty (pcs / carton)	Total weight (kg)	Carton size (LxWxH) in mm
EL37	20	18	360	27	528x376x272



This product is licensed under the Signify (formerly Philips) EnabLED Signage program when bought as a kit including power supply. The final product in which this kit is used will be covered by this license and free from further royalties.



## LUCOLED POWER SUPPLIES AND CONTROLS



- Up to 7 years warranty
- Wide Voltage Input
- OVP, OCP, SCP, OTP protection function
- IP67 / IP68 Rating
- Class 2 (PPXS, PPDS)
- Class II (PPM)
- Dim option (PPDS)

Lucoled offers a full range of Premium Power Supplies. The various power options help you to match the installed power capacity to the total power used by your LED installation.

Lucoled Premium Power Supplies are designed and tested for safety, long life and reliability.

All power supplies are designed for outdoor use and carry all required international agency markings.

## SPECIFICATIONS 12V POWER SUPPLIES

<b>Output Voltage</b>	12V
<b>Working temperature range</b>	-40°C~+55°C
<b>Input Voltage Range</b>	100VAC~240VAC
<b>Input Frequency Range</b>	50~60Hz
<b>Protective Characteristics</b>	Over-Current, Short-Circuit, Over Voltage and Over-Temperature protection
<b>IP Rating</b>	IP68
<b>MTBF</b>	40Khrs. MIL-HDBK-217F(25°C)
<b>Warranty</b>	7 Years, first 2 years extended.

Code	Output Current	Output Power	Input Current	Efficiency	Size (l x w x h)	Weight
VP1260	5A	60W	≤0.8A	≥84%	186x40x29mm	0.55kg
VP12100	8.33A	100W	≤1.22A	≥90%	163x68x37mm	0.69kg
VP12150	12.5A	150W	≤1.81A	≥90%	185x68x37mm	0.79kg
VP12240	20A	240W	≤2.93A	≥90%	217x68x37mm	0.98kg
VP12400	33.33A	400W	≤4.87A	≥92%	251x86x42mm	1.66kg



## SPECIFICATIONS 24V POWER SUPPLIES

<b>Output Voltage</b>	24V
<b>Working temperature range</b>	-40°C~+55°C
<b>Input Voltage Range</b>	100VAC~240VAC
<b>Input Frequency Range</b>	50~60Hz
<b>Protective Characteristics</b>	Over-Current, Short-Circuit, Over Voltage and Over-Temperature protection
<b>IP Rating</b>	IP68
<b>MTBF</b>	40Khrs. MIL-HDBK-217F(25°C)
<b>Warranty</b>	7 Years, first 2 years extended.

Code	Output Current	Output Power	Input Current	Efficiency	Size (l x w x h)	Weight
VP2460	2.5A	60W	≤0.8A	≥84%	186x40x29mm	0.55kg
VP24100	4.17A	100W	≤1.22A	≥92%	163x68x37mm	0.69kg
VP24150	6.25A	150W	≤1.81A	≥93%	185x68x37mm	0.79kg
VP24240	10A	240W	≤2.93A	≥92%	217x68x37mm	0.98kg
VP24400	16.67A	400W	≤4.87A	≥93%	251x86x42mm	1.66kg



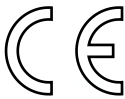
### Important:

- Lucoled recommends loading power supplies up to 90% of their maximum listed capacity.
- Select a power supply for your installation loaded at more than 50% of its maximum load to meet Power Factor regulations.
- Install with adequate ventilation and not in direct sunlight.
- Power supplies to be installed by trained and certified staff.

## SPECIFICATIONS 12V/24V MINI, DOUBLE-ISOLATED CLASS II, POWER SUPPLIES

<b>Output Voltage</b>	12V/24V
<b>Working temperature range</b>	-40°C~+65°C
<b>Input Voltage Range</b>	120VAC~270VAC
<b>Input Frequency Range</b>	50~60Hz
<b>Protective Characteristics</b>	Over-Current, Short-Circuit, Over Voltage protection
<b>IP Rating</b>	IP67
<b>MTBF</b>	≥70000hrs. MIL-HDBK-217F (25°C)
<b>Warranty</b>	5 Years, first 2 years extended.

Code	Output Current	Output Power	Input Current	Efficiency	Size (l x w x h)	Weight
PPM1260	5,0 A	60W	0.65 A/120 VAC - 0.35 A/270 VAC	≥90%	157x23x20mm	0,25kg
PPM12100	8.0 A	100W	1.1 A/120 VAC - 0.55 A/270 VAC	≥92%	157x29x20mm	0,3kg
PPM2460	2.5 A	60W	0.65 A/120 VAC - 0.35 A/270 VAC	≥90%	157x23x20mm	0,25kg
PPM24100	4.0 A	100W	1.1 A/120 VAC - 0.55 A/270 VAC	≥92%	157x29x20mm	0,3kg



IP67



## SPECIFICATIONS SLIM SHORT POWER SUPPLIES

<b>Output Voltage</b>	12V
<b>Working temperature range</b>	-25°C~+45°C
<b>Input Voltage Range</b>	200VAC~240VAC
<b>Input Frequency Range</b>	50~60Hz
<b>Protective Characteristics</b>	Over-Current, Short-Circuit, Over Voltage protection
<b>IP Rating</b>	IP67
<b>MTBF</b>	≥50000hrs. MIL-HDBK-217F(25°C)
<b>Warranty</b>	7 Years, first 2 years extended.

Code	Output Voltage	Output Current	Output Power	Input Current	Efficiency	Size (l x w x h)	Weight
PPXS1230	12 V	2.5A	30W	0.22A/200-240VAC	≥85%	186x35x20mm	0,28kg
PPXS1260	12 V	5A	60W	0.38A/200-240VAC	≥87%	186x35x20mm	0,28kg
PPXS12100	12 V	8.3A	100W	0.7A/200-240VAC	≥90%	228x35x20mm	0,34kg
PPXS12150	12 V	12.5A	150W	0.8A/200-240VAC	≥90%	233x45x23mm	0,39kg
PPXS2430	24 V	1.25A	30W	0.22A/200-240VAC	≥85%	186x35x20mm	0,28kg
PPXS24100	24 V	4.2A	100W	0.7A/200-240VAC	≥90%	228x35x20mm	0,34kg
PPXS24150	24 V	6.25A	150W	0.8A/200-240VAC	≥90%	233x45x23mm	0,39kg



IP67



## SPECIFICATIONS 12V SLIM DIMMABLE POWER SUPPLIES

<b>Output Voltage</b>	12V/24V-25°C~+45°C
<b>Working temperature range</b>	200VAC~240VAC
<b>Input Voltage Range</b>	50~60Hz
<b>Input Frequency Range</b>	Over-Current, Short-Circuit, Over Voltage protection
<b>Protective Characteristics</b>	IP67
<b>IP Rating</b>	≥50000hrs. MIL-HDBK-217F(25°C)
<b>MTBF</b>	7 Years
<b>Warranty</b>	0=10 V, PWM, Resistance
<b>Dim Input (0-100%)</b>	

Code	Output Current	Output Power	Input Current	Efficiency	Size (l x w x h)	Weight
PPDS12100	4.16A	100W	0.7A/200-240VAC	≥90%	258x35x20mm	0,40kg
PPDS24100	2.08A	100W	0.7A/200-240VAC	≥90%	258x35x20mm	0,40kg

## SPECIFICATIONS MANUAL EXTERNAL DIMMING OPTION

<b>Input/Output Voltage</b>	12V – 24V
<b>Working temperature range</b>	0°C~+45°C
<b>Output Current Max Range</b>	8 A
<b>IP Rating</b>	IP20
<b>Warranty</b>	3 Years
<b>Dimming Method (0-100%)</b>	PWM

Code	Output Current		Output Power 12 V	Output Power 24 V
DIM-PS	8 A		96 W	192 W
LTECH-E610	1-10V	Knob Panel		



### Important:

- Lucoled recommends loading power supplies up to 90% of their maximum listed capacity.
- Select a power supply for your installation loaded at more than 50% of its maximum load to meet Power Factor regulations.
- Install with adequate ventilation and not in direct sunlight.
- Power supplies to be installed by trained and certified staff.

## SPECIFICATIONS RF RGB(W) & DIM CONTROL OPTIONS

<b>Input/Output Voltage</b>	12V – 24V
<b>Working temperature range</b>	-30°C~+55°C
<b>IP Rating</b>	IP20
<b>Warranty</b>	5 Years
<b>Diming method (0-100%)</b>	PWM

Code	Output	Output Current	Output Power 12 V	Output Power 24 V
LTECH-M3/M3-3A	RGB	3x3 A	108 W	216 W
LTECH-M6/M3-3A	RGB	3x3 A	108 W	216 W
LTECH-M4/M4-5A	RGBW	4x5 A	144 W	288 W
LTECH-M8/M4-5A	RGBW	4x5 A	144 W	288 W
LTECH-M1/M3-3A	MONO	3x3 A	108 W	216 W



## SPECIFICATIONS DMX RGBW & DIM CONTROL OPTIONS

<b>Input/Output Voltage</b>	12V – 24V
<b>Working temperature range</b>	-30°C~+55°C
<b>IP Rating</b>	IP20
<b>Warranty</b>	5 Years
<b>Diming method (0-100%)</b>	PWM

Code	Output		Input	Output Current	OutputPower 12 V	Output Power 24 V
LTECH-EX1S	DMX	Touch Panel	Manual			
LTECH-EX4S	DMX	Touch Panel	Manual			
LTECH-EX8	DMX	Touch Panel 4 Zones	Manual/WIFI/RF			
LC-DMX-4CH-WP	RGBW	IP67 Controller	DMX	4x5 A	240W	480W
LC-DMX-4CH	RGBW	Controller	DMX	4x8 A	384W	768W



## SPECIFICATIONS WIFI RGBW CONTROL OPTIONS

<b>Input/Output Voltage</b>	12V – 24V
<b>Working temperature range</b>	-30°C~+55°C
<b>IP Rating</b>	IP20
<b>Warranty</b>	5 Years
<b>Diming method (0-100%)</b>	PWM

Code	Output		Input	Output Current	OutputPower 12 V	Output Power 24 V	Output Power 24 V
LC-RF-4CH-WP	RGBW	IP67 Controller	RF	4x5 A	240 W	480 W	480 W
LC-RFWIFI-4CH	CCT/RGBW	IP20 Controller	RF/WIFI	4x5A	240 W	480 W	480 W
LC-RF-REMOTE	RF	Remote					
LC-RF-DIMMER	RF	Remote					
LC-RF-CT	RF	Remote					



## SPECIFICATIONS 4 IN 1 CONTROL OPTIONS

<b>Input/Output Voltage</b>	12V – 24V
<b>Working temperature range</b>	-30°C~+55°C
<b>IP Rating</b>	IP20
<b>Warranty</b>	5 Years
<b>Diming method (0-100%)</b>	PWM

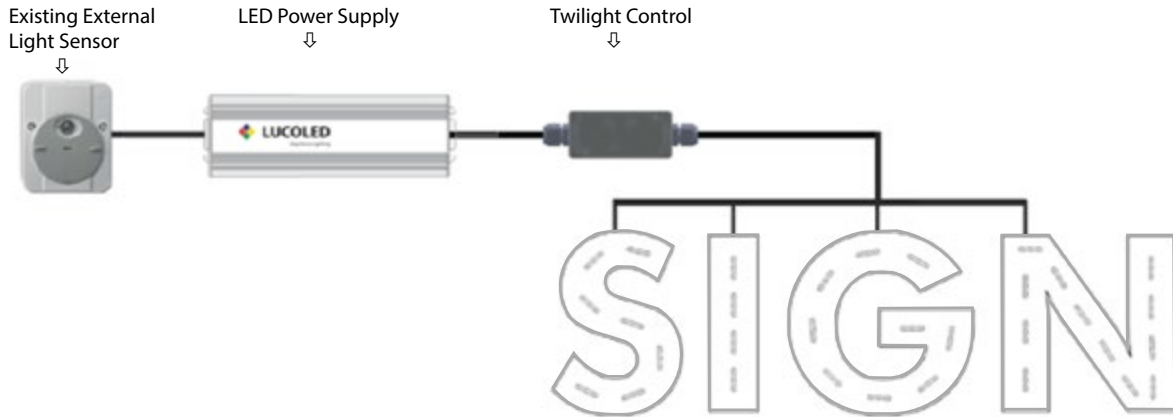
Code	Output		Input	Output Current	OutputPower 12 V	Output Power 24 V	Output Power 48 V
LC-DIM-4IN1	MONO	4 in 1 Controller	0-10V /DALI-2 / Push / Phase Cut	2x10A (20A)	240 W	480 W	960 W



## SPECIFICATIONS TWILIGHT CONTROL

<b>Dimensions</b>	100 x 52 x 37 mm
<b>Input Voltage Range</b>	12VDC~ 48 VDC
<b>Output Voltage</b>	12VDC~ 48 VDC
<b>Output Wattage</b>	150 W @ 12 VDC, 240 W @ 24 ~ 48 VDC
<b>Output Dimming Signal</b>	PWM
<b>Working temperature range</b>	-30°C~+60°C
<b>Protective Characteristics</b>	Short-Circuit, Over-Temperature protection
<b>IP Rating</b>	IP66
<b>IEC safety class</b>	Class II
<b>Housing</b>	PC
<b>IK class</b>	10

## TYPICAL INSTALLATION

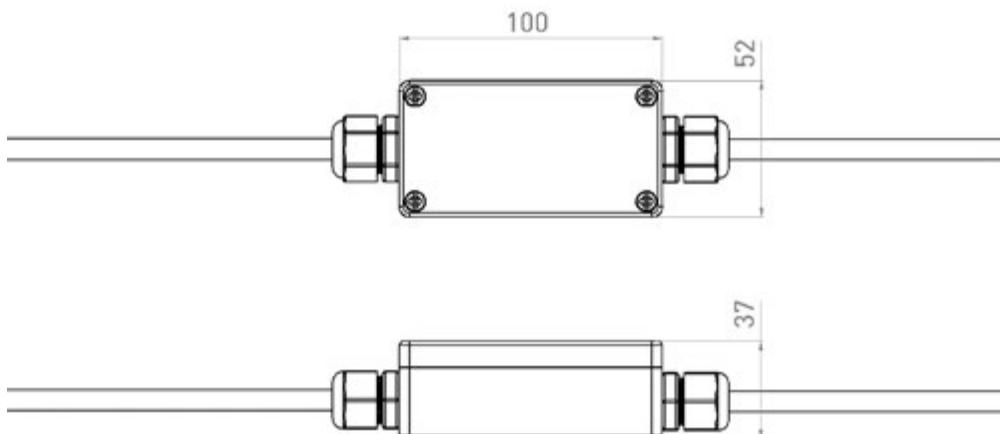


## FACTORY DEFAULT OUTPUT SETTINGS

	Daytime	Sunset	Dusk	Night	Dawn	Sunrise
Duration	off time	1:00 hour	2:00 hour	calculated	0:30 hour	0:30 hour
Output	0%	100%	60%	30%	60%	100%

All settings can be changed by the Twilight Control app via bluetooth

## DIMENSIONS



All product, product specifications and data are subject to change without notice to improve reliability, function, design or otherwise. Photos and pictures are for illustration purpose only.

# EPREL ENERGY LABELLING

Article-Nr.	CCT (K)	CRI	Power (W/Mod)	Flux (lm/Mod)	Efficacy (lm/W)	Energy efficiency class
XR10-W65	6500	>80	0.36	60	167	C
XR20-W70	7000	>74	0.35	65	186	B
XR24-W30	3000	>74	0.72	133	184	B
XR24-W40	4000	>74	0.73	144	197	B
XR24-W50	5000	>74	0.71	137	193	B
XR24-W70	7000	>74	0.67	126	188	B
XR28-W70	7000	>74	1.02	187	183	C
PV10-W30	3000	>75	0.30	45	152	EXEMPT (< 60 lm)
PV10-W40	4000	>75	0.30	49	161	EXEMPT (< 60 lm)
PV10-W50	5000	>75	0.30	49	160	EXEMPT (< 60 lm)
PV10-W65	6500	>75	0.29	48	165	EXEMPT (< 60 lm)
PV10-W71	7100	>75	0.29	46	158	EXEMPT (< 60 lm)
PV20-W30	3000	>75	0.71	99	139	D
PV20-W40	4000	>75	0.72	114	158	D
PV20-W50	5000	>75	0.72	113	157	D
PV20-W65	6500	>75	0.70	113	161	C
PV20-W71	7100	>75	0.74	110	148	D
PV24-W65	6500	>75	0.71	110	155	D
PV44-W65	6500	>75	1.46	224	154	D
PV44-W50	5000	>75	1.46	224	154	D
VR10-W65	6500	>75	0.36	44	122	EXEMPT (< 60 lm)
VR23-W70	7000	>80	0.72	115	160	C
VR33-W70	7000	>80	1.0	160	160	C
VR40-W65	6500	>75	1.5	188	125	D
BL31-W30	3000	>70	3.6	350	97	E
BL31-W65	6500	>70	3.6	350	97	E
BL72-W65	6500	>70	7.0	1035	148	D
BLI20-W65	6500	>70	0.86	101	118	E
BLI20-W40	4000	>70	0.86	101	118	D
BLI20-W30	3000	>70	0.86	101	118	D
BLI60-W65	6500	>70	2.6	312	120	E
BLI60-W40	4000	>70	2.6	312	120	D
BLI60-W30	3000	>70	2.6	312	120	D
BLI140-W65	6500	>70	6	720	120	C
BLE60-W65	6500	>70	3.1	372	120	E
BLE120-W65	6500	>70	6.5	756	120	F
DS80-W65	6500	>70	4.8	792	165	D
OS80-W65	6500	>70	2.4	396	165	D
EL10-W30	3000	>70	1.6	160	100	F
EL10-W65	6500	>70	1.6	160	100	F
EL31-W30	3000	>70	2.88	327	114	E
EL31-W40	4000	>70	2.88	327	114	E
EL31-W65	6500	>70	2.88	327	114	E
EL37-W65	6500	>75	5.9	740	125	E
EL37-W40	4000	>75	5.9	740	125	E

All Luceled products are listed in the EPREL database: <https://eprel.ec.europa.eu/screen/product/lightsources>

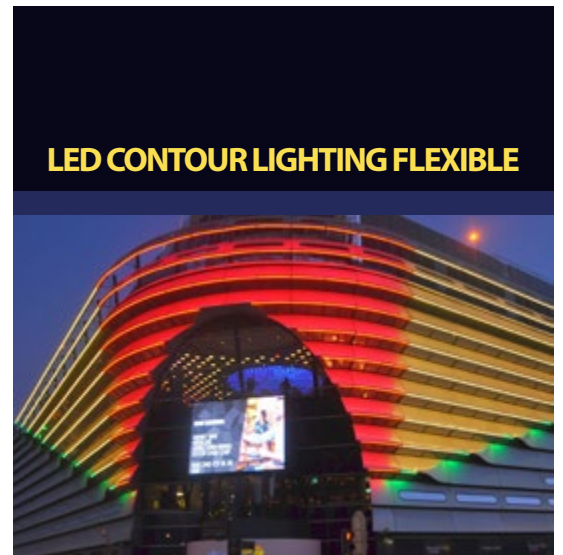
# do you know our other products?



**Lucoline®:** Rigid LED contour for architectural, linear accent lighting for gas station roofs, building contours, interior accents, etc.



**Lucoflex:** Flexible LED tubes for contours, letters, and accent lighting indoors and outdoors, also available in RGB!



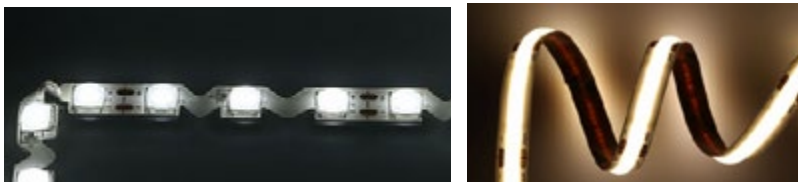
## LED CONTROL SYSTEMS



**LED Controls:**For dimming via remote control or app, control of RGB(W) and tunable white. Various signals from 1-10V to DALI or DMX are possible.



*Experience Lighting*



**LED Strips:** Flexible LED strips for diverse applications such as accent lighting, trade fair construction, shopfitting, etc. Standard white, tunable white, and RGBW are available, as well as an IP-protected version that can also be used outdoors.



## LED STRIPS



*Experience Lighting*



# LUCOLED

*Experience Lighting*

## **BELGIUM**

Venusstraat 5  
3290 Diest  
Belgium

[www.lucoled.com](http://www.lucoled.com)

☎: +32 (0) 13292829  
✉: [info@lucoled.com](mailto:info@lucoled.com)

## **THE NETHERLANDS**

Rotterdamseweg 388F  
2629 HG Delft  
The Netherlands

[www.lucoled.com](http://www.lucoled.com)

☎: +31 (0) 153649186  
✉: [info@lucoled.com](mailto:info@lucoled.com)

## **LUCOLED INDIA PVT LTD.**

Gate No.725, Gadewadi  
Lavasa Link Road, Urawade  
Taluka Mulshi, Pune 412115  
India

[www.lucoled.in](http://www.lucoled.in)

☎: +91 8484056019  
✉: [info@lucoled.in](mailto:info@lucoled.in)